

SRS Series

Straight Round Steel Poles

Rev. Date: V5 02/08/2022

Product Description

Non-tapered round steel poles are supplied with a formed composite 2-piece base cover, four partially galvanized anchor bolts, cardboard mounting template and pole cap (except open top mount). Steel pole base has slotted holes to accommodate installation. A standard 2" x 4" hand hole is located 14" above the bottom of the pole base. A 1/2" stainless-steel weld stud with grounding lug is located inside the pole, opposite the hand hole.

Cree Lighting poles are steel shot cleaned to remove any rust, mill scale, oxides, or other unwanted particles from the pole resulting in a surface preparation that exceeds the specifications published by the SSPC-SP10. Iron phosphate is then applied, creating an iron oxide base with a flat or amorphous metal phosphate topcoat. This coating significantly adds to the performance of the finished coating by improving bonding and minimizing the spread of oxidation if the coating is scratched, improving corrosion resistance. Polyester powder coating is applied to a 6-mil thickness.

CONSTRUCTION & MATERIALS

- Round, non-tapered pole of structural steel tubing (ASTM A 500 Grade B) with a minimum yield strength of 46,000 p.s.i. welded to a carbon steel base plate (ASTM A-36 HRS) with a minimum yield strength of 36,000 p.s.i.
- Anchor bolts (F1554 Grade 55) are "L" bent bars having a minimum yield strength of 55,000 p.s.i. The bolts are partially galvanized per ASTM A153 specifications and furnished complete with two hex nuts and two flat washers
- Base cover is 2 pc. formed composite to match finish color on pole. Base cover connects with four push pins included
- Pole cap is black ABS composite and inserts into the top of the pole
- Optional GFI receptacle available. Refer to page 2 for details

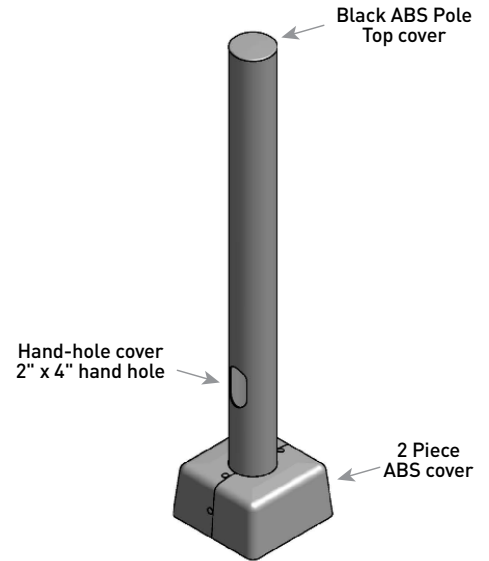
REGULATORY & VOLUNTARY QUALIFICATIONS

- National Electrical Code Requirements
- UL Listed in US for electrical ground bonding
- CSA Certified in Canada for ground bonding and structural strength
- RoHS Compliant (consult factory for details)

LIMITED WARRANTY*

- 7 years on pole and tenons/7 years on finish/1 year on GFI receptacle

* See <http://creelighting.com/warranty> for warranty terms



Ordering Information

Fully assembled pole is composed of two components that must be ordered separately. If required, a GFI must also be requested at time of order. Example: **Anchor Bolts w/Template:** SRS-5-AB-3/4-28 + **Pole:** SRS-5-11-12-SW-BS-1D-C-BK + **Optional GFI:** SSS-GFI-STANDARD

| Anchor Bolts /Templates (Pole must be ordered separately) | | | | Optional GFI (Pole and Anchor Bolts must be ordered separately) | | | | | | | |
|------------------------------------------------------------------------------------------------------------------|---------------|---------------|------------|------------------------------------------------------------------------------------------------------------------------------------------|----------------------------|----------------------------------------------------------------------------------------------|------------------------|---------------------------------------|---------------------------------------------------------------------------------------------------------------------------------------------------------------------------------------------------------------------------------------------------------------------------------------------|------------------------------------------------------------------------------------------------------------------------------------------------------------------------------------------------------------------------------------------------------------------------|------------------------------------------------------------|
| SRS-5-AB-3/4-28 | | | | | | | | | | | |
| SRS-5-AB-3/4-28 Anchor Bolts & Template for 5" Round Poles: 0.75" anchor bolts, 8.5" bolt circle [8-9" range] | | | | SSS-GFI-STANDARD - Located 28" above the base of the pole on same side as hand hole. Consult factory for placement in other locations | | | | | | | |
| Pole (Anchor bolts must be ordered separately) | | | | | | | | | | | |
| SRS | Design | Cross Section | Material | Shaft Size | Wall Thickness (GA) | Mounting Height | Base Type | Base Casting/Cover | Mounting Configuration | Fixture Mounting Drill Pattern** | Finish |
| | S Straight | R Round | S Steel | 5 = 5" | 11 11 gauge (0.125") | 12 = 12' 15 = 15' 17 = 17' 20 = 20' 22 = 22' 25 = 25' 27 = 27' 30 = 30' | SW Standard Weld | BS Standard Formed Composite | Drilled Poles 1D Drilled for Direct Mount (Single) 2D90 Drilled for Direct Mount (2@90deg) 2D18 Drilled for Direct Mount (2@180deg) 3D90 Drilled for Direct Mount (3@90deg) 4D90 Drilled for Direct Mount (4@90deg) | Use w/Drilled Poles C Standard Cree Lighting Drill Pattern - For use with Cree Lighting and C-LITE® area/flood luminaires except THE EDGE® High Output or OSQX Q OSQX Drill Pattern - Drill Pattern for use only with OSQX luminaires | BK Black BZ Bronze SV Silver WH White |
| | | | | | | | | | Open Top Poles OT* Open top to accept internal mount tenons or brackets | Use w/Open Top Poles N None - Required with OT mounting configuration | |

* Order tenon separately. Refer to [Bracket and Tenons spec sheet](#) for additional information.

** Refer to page 3 for fixture mounting patterns.

CA RESIDENTS WARNING: Cancer and Reproductive Harm – www.p65warnings.ca.gov

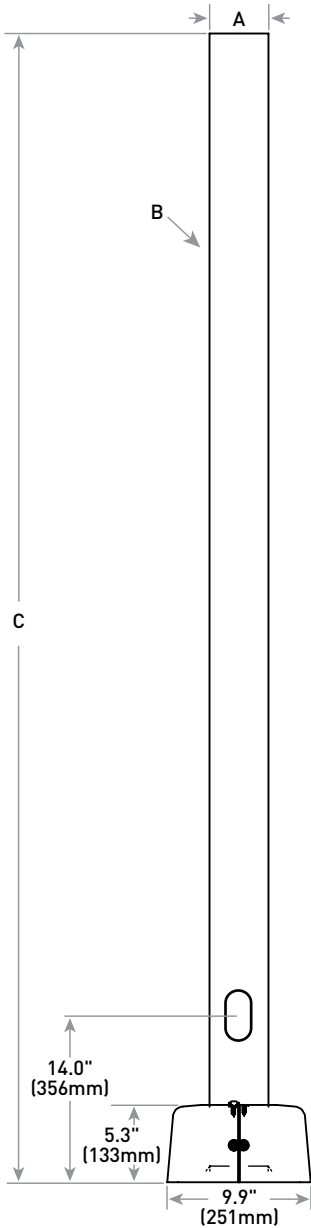


US: creelighting.com (800) 236-6800

Canada: creelighting-canada.com (800) 473-1234

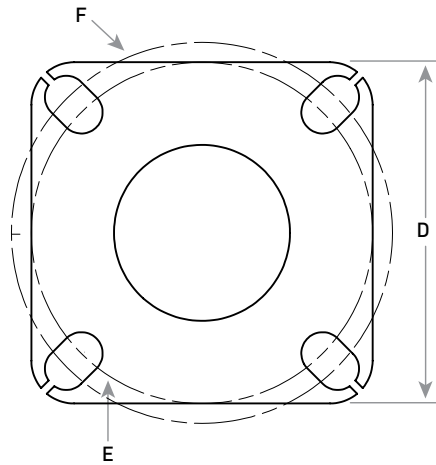
CREE ⇄ **LIGHTING**®

Pole Drawing



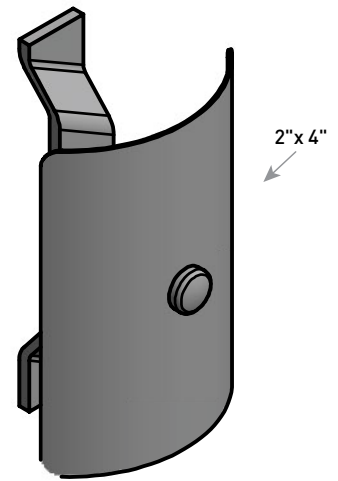
Refer to page 4 for dimensions A-F. Dimensions are based on pole selection.

Base Plate Detail

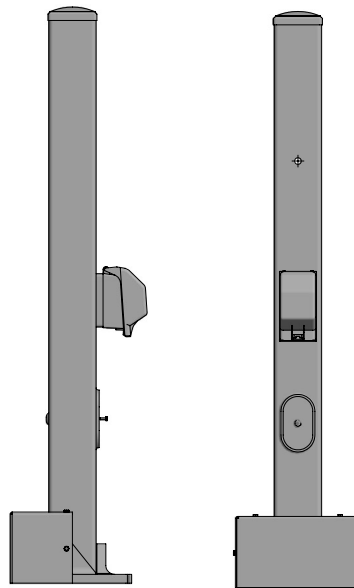


Refer to page 4 for dimensions A-F. Dimensions are based on pole selection.

Hand Hole Cover Drawing



Optional GFI (shown on square pole)

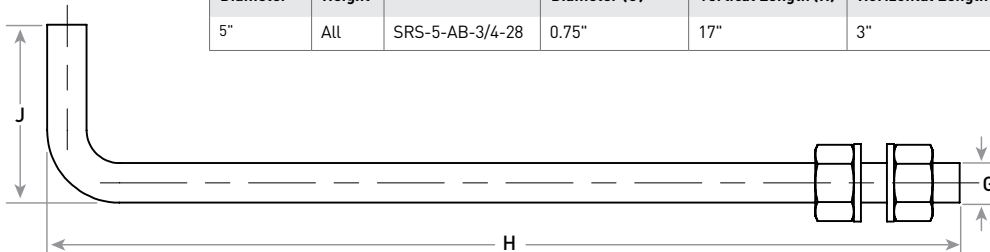


CONSTRUCTION & MATERIALS

- Heavy-duty steel construction
- Lockable security cover
- Includes adapter plates and foam gasket
- 20A, 120V, 60Hz GFCI, and cover also included
- 3-1/4" internal depth
- Standard GFI is located 28" above the pole base on the same side as the hand hole. Consult factory for placement in other locations
- Weatherproof while in use
- Meets NEC Extra Duty requirements
- Receptacle and cover ship separately in hardware bag

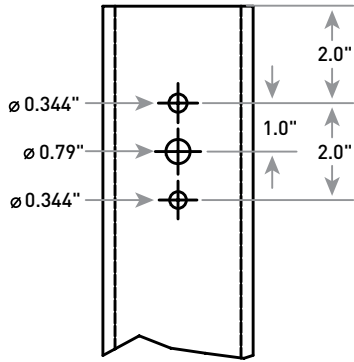
Anchor Bolt Detail

| Pole Diameter | Pole Height | Part Number | Anchor Bolt Diameter (G) | Anchor Bolt Vertical Length (H) | Anchor Bolt Horizontal Length (J) | Bolt Circle/Range |
|---------------|-------------|-----------------|--------------------------|---------------------------------|-----------------------------------|-------------------|
| 5" | All | SRS-5-AB-3/4-28 | 0.75" | 17" | 3" | 8"/8-9" |



Fixture Mounting Drill Patterns

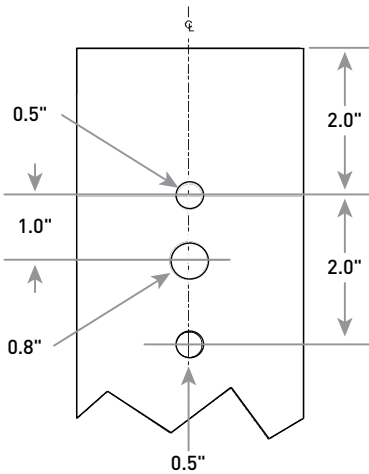
C - Standard Cree Lighting Fixture Mounting Drill Pattern



N - Open Top Mounting Configuration



Q - OSQX Mounting Drill Pattern



Tenon EPA

| Part Number | EPA |
|--------------|------|
| PB-1R5.00 | 0.92 |
| PB-2R5.00 | 0.92 |
| PB-3R5.00 | 1.62 |
| PB-4R5.00 | 2.32 |
| PB-4R5.0(90) | 1.21 |
| XA-TMDA8 | 0.19 |

Tenons and Brackets[‡] (must specify color)

Round External Mount Vertical Tenons (Steel)

- Mounts to 5.0" (127mm) O.D. round aluminum or steel poles or tenons
- Not for use with THE EDGE® Area Round Post Top mounts

PB-1R5.00 - Single PB-2R5.00 - Twin
 PB-3R5.00 - Triple PB-4R5.00 - Quad
 PB-4R5.0(90) - Quad @ 90°

Direct Arm Pole Adaptor Bracket (Aluminum)

- Mounts to 3-6" (76-152mm) round or square aluminum or steel poles
 - For use with horizontal tenon mounts that require extended tenon length
 - Not for use with THE EDGE® High Output or OSQX Area/Flood luminaires
- XA-TMDA8

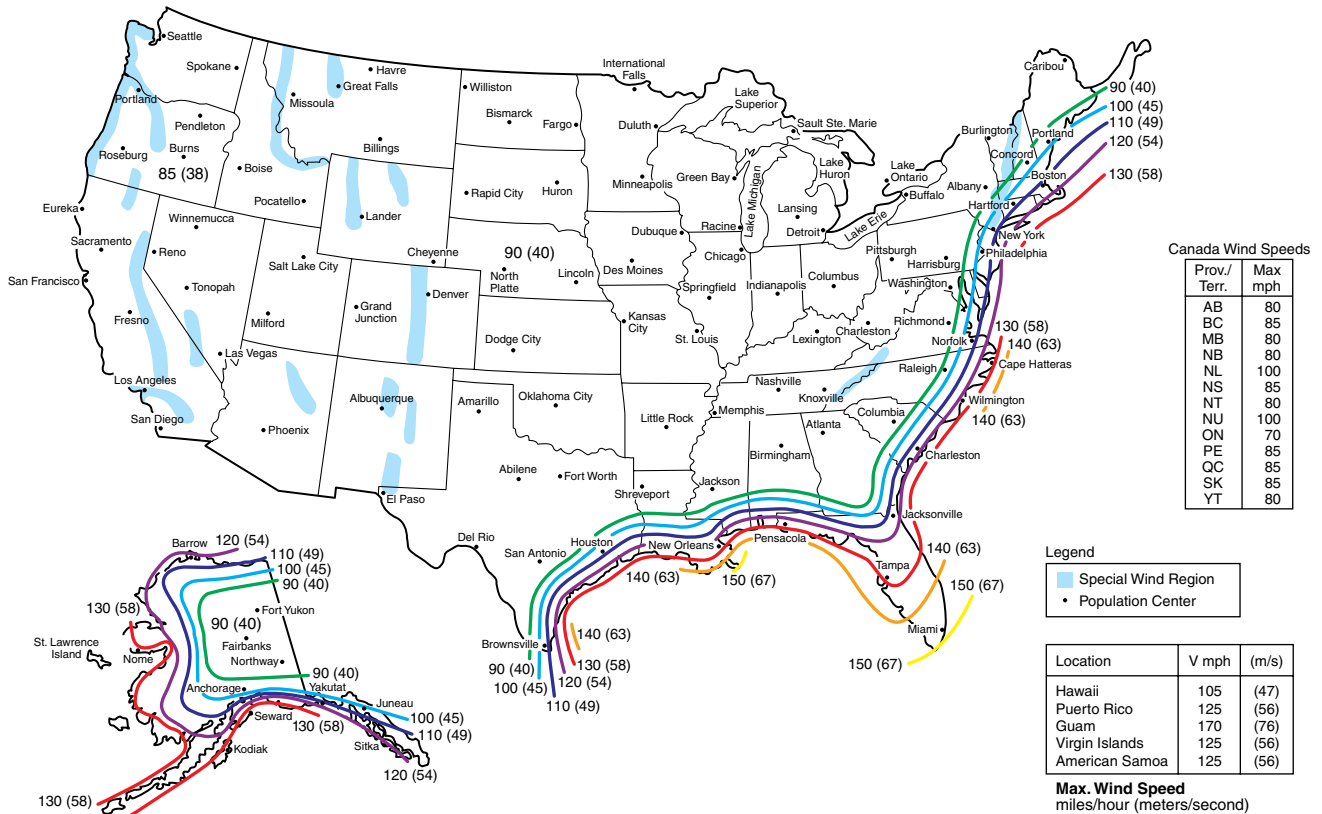
[‡] Refer to the [Bracket and Tenons spec sheet](#) for more details on tenons. Refer to product specification sheets for compatible tenons.

Dimensions, EPA & Weight

| Product | Diameter (A) x Wall (B) x Height (C) | Base Plate (D) x Thickness | Bolt Circle/ Range Min (E) -Max (F) | AASHTO LTS-6 | | | | | Maximum Luminaire Weight | Approx. Shipping Weight |
|-------------------|--------------------------------------|----------------------------|-------------------------------------|--------------|-------|-------|-------|------|--------------------------|-------------------------|
| | | | | 80 | 90 | 100 | 120 | 140 | | |
| SRS-5-11-12-SW-BS | 5" x 11 ga. x 12' | 8" x 0.75" Thick | 8.5"/8-9" | 30.53 | 23.54 | 18.77 | 12.79 | 9.23 | 150 lbs. | 120 lbs. |
| SRS-5-11-15-SW-BS | 5" x 11 ga. x 15' | 8" x 0.75" Thick | 8.5"/8-9" | 23.11 | 17.53 | 13.83 | 9.3 | 6.63 | 150 lbs. | 144 lbs. |
| SRS-5-11-17-SW-BS | 5" x 11 ga. x 17' | 8" x 0.75" Thick | 8.5"/8-9" | 17.66 | 13.09 | 11.33 | 7.5 | 5.27 | 150 lbs. | 161 lbs. |
| SRS-5-11-20-SW-BS | 5" x 11 ga. x 20' | 8" x 0.75" Thick | 8.5"/8-9" | 14.61 | 10.61 | 7.99 | 5.03 | 3.41 | 150 lbs. | 186 lbs. |
| SRS-5-11-22-SW-BS | 5" x 11 ga. x 22' | 8" x 0.75" Thick | 8.5"/8-9" | 12.09 | 8.54 | 6.21 | 3.7 | 2.4 | 150 lbs. | 202 lbs. |
| SRS-5-11-25-SW-BS | 5" x 11 ga. x 25' | 8" x 0.75" Thick | 8.5"/8-9" | 8.98 | 5.96 | 3.98 | 2.02 | 1.12 | 150 lbs. | 225 lbs. |
| SRS-5-11-27-SW-BS | 5" x 11 ga. x 27' | 8" x 0.75" Thick | 8.5"/8-9" | 7.23 | 4.49 | 2.7 | 1.05 | 0.37 | 150 lbs. | 244 lbs. |
| SRS-5-11-30-SW-BS | 5" x 11 ga. x 30' | 8" x 0.75" Thick | 8.5"/8-9" | 4.96 | 2.57 | 1.02 | N/A | N/A | 150 lbs. | 263 lbs. |

NOTE: Hanging signs, banners and flags on poles changes the EPA rating and increases vibration. The EPA ratings data provided does not allow for this added stress which could result in pole or luminaire failure.

This map indicates approximate maximum wind zones throughout the U.S. Base wind velocities are established using a 50-year recurring mean. The EPA rating of the pole must be equal to or greater than that of the luminaire(s), taking into consideration the wind conditions at the job site.



Dimensions, EPA & Weight

| Product | Diameter (A) x Wall (B) x Height (C) | Base Plate (D) x Thickness | Bolt Circle/ Range Min (E) -Max (F) | FBC | | | | | | Maximum Luminaire Weight | Approx. Shipping Weight | |
|-------------------|--------------------------------------|----------------------------|-------------------------------------|------|------|------|------|------|------|--------------------------|-------------------------|----------|
| | | | | 120 | 130 | 140 | 150 | 160 | 170 | | | 180 |
| SRS-5-11-12-SW-BS | 5" x 11 ga. x 12' | 8" x 0.75" Thick | 8.5"/8-9" | 23.9 | 19.9 | 18 | 15.4 | 13.3 | 11.6 | 10.2 | 150 lbs. | 120 lbs. |
| SRS-5-11-15-SW-BS | 5" x 11 ga. x 15' | 8" x 0.75" Thick | 8.5"/8-9" | 17.7 | 14.5 | 13.6 | 11.5 | 9.9 | 8.5 | 7.3 | 150 lbs. | 144 lbs. |
| SRS-5-11-17-SW-BS | 5" x 11 ga. x 17' | 8" x 0.75" Thick | 8.5"/8-9" | 14.3 | 11.5 | 11.1 | 9.4 | 7.9 | 6.7 | 5.7 | 150 lbs. | 161 lbs. |
| SRS-5-11-20-SW-BS | 5" x 11 ga. x 20' | 8" x 0.75" Thick | 8.5"/8-9" | 10.4 | 9 | 8.3 | 6.9 | 5.7 | 4.7 | 3.9 | 150 lbs. | 186 lbs. |
| SRS-5-11-22-SW-BS | 5" x 11 ga. x 22' | 8" x 0.75" Thick | 8.5"/8-9" | 8.3 | 7.5 | 6.9 | 5.6 | 4.5 | 3.7 | 2.9 | 150 lbs. | 202 lbs. |
| SRS-5-11-25-SW-BS | 5" x 11 ga. x 25' | 8" x 0.75" Thick | 8.5"/8-9" | 5.7 | 5.6 | 5.1 | 4 | 3.1 | 2.3 | 1.7 | 150 lbs. | 225 lbs. |
| SRS-5-11-27-SW-BS | 5" x 11 ga. x 27' | 8" x 0.75" Thick | 8.5"/8-9" | 4.5 | 4.2 | 4.1 | 3.1 | 2.2 | 1.5 | 1 | 150 lbs. | 244 lbs. |
| SRS-5-11-30-SW-BS | 5" x 11 ga. x 30' | 8" x 0.75" Thick | 8.5"/8-9" | 3.1 | 2.7 | 2.3 | 1.9 | 1.1 | 0.5 | N/A | 150 lbs. | 263 lbs. |

NOTE: Hanging signs, banners and flags on poles changes the EPA rating and increases vibration. The EPA ratings data provided does not allow for this added stress which could result in pole or luminaire failure.

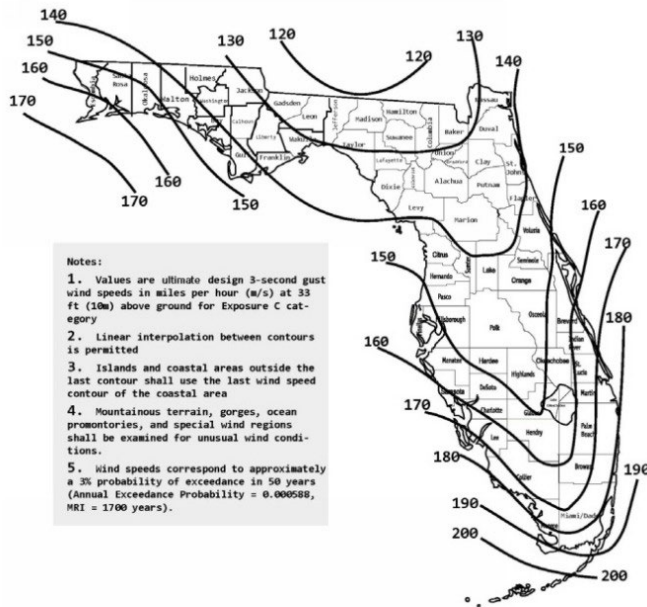


FIGURE 1609.3(2)
ULTIMATE DESIGN WIND SPEEDS, V_{ULT} , FOR RISK CATEGORY III BUILDINGS AND OTHER STRUCTURES