

SMK-FLX

Surface Mount Kit for FLEX Series Troffers

Product Description

The SMK-FLX surface mount kit is designed to convert Cree FLEX Series troffers into surface mount or suspended luminaires. It features a powder-coated white finish to complement a variety of interior designs.

Product Specifications

CONSTRUCTION & MATERIALS

- **SMK-FLX24 Dimensions:** L 48.1" x W 24.2" x H 5.7" (1222mm x 615mm x 145mm)
- **SMK-FLX14 Dimensions:** L 48.1" x W 12.2" x H 5.7" (1222mm x 310mm x 145mm)
- **SMK-FLX22 Dimensions:** L 25.19" x W 24.19" x H 5.48" (640mm x 614mm x 139mm)
- **Weight:** Max 15 lbs. (7kg)

REGULATORY & VOLUNTARY QUALIFICATIONS

- cULus Listed

Limited Warranty†: 1 year on accessories

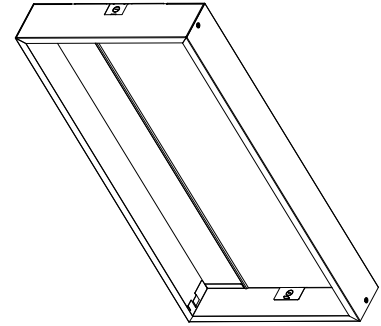
† See <http://lighting.cree.com/warranty> for warranty terms

Ordering Information

Example: SMK-FLX14

Product
SMK-FLX14 FLX14™ LED Troffer Compatible
SMK-FLX22 FLX22™ LED Troffer Compatible
SMK-FLX24 FLX24™ LED Troffer Compatible

SMK-FLX24



NOTE: Not for use with emergency backup or Cree SmartCast® Technology luminaires



© 2019 Cree, Inc. and/or one of its subsidiaries. All rights reserved. For informational purposes only. Content is subject to change. Patent www.cree.com/patents. Cree® and the Cree logo registered trademark, and FLX14™, FLX22™, and FLX24™ are trademarks of Cree, Inc. The UL logo is a registered trademark of UL LLC.

US: lighting.cree.com

T (800) 236-6800 F (262) 504-5415

Rev. Date: V1 03/12/2019

Canada: www.cree.com/canada



T (800) 473-1234 F (800) 890-7507