

C-AR-A-SL3/SL4/SL5-16L/18L Series

LED Area Light - Type III/Type IV/Type V
Replaces 320W PSMH/400W MH



EXCEPTIONAL EFFICIENCY, EASY INSTALLATION, HIGH RELIABILITY.

Get big energy savings from this highly reliable LED area light at a great value price.



PRODUCT SPECIFICATIONS

OVERVIEW

- Initial Delivered Lumens: 16,100 - 18,500
- CRI: 80+
- CCT: 3000K, 4000K, 5000K
- Mounting: Sold Separately
- Input Power: 150 Watts
- Dimmable: Yes
- Operating Range: - 40°C (-40°F) - 40°C (104°F)
- Lifespan: Estimated >100,000 Hours
- Power Factor: > 0.9
- Total Harmonic Distortion: < 20%
- Limited Warranty: 5 Years*
- Replaces 320W PSMH/400W MH

FEATURES	RECOMMENDED USE	INPUT VOLTAGE
<ul style="list-style-type: none"> • Exceptional rebate friendly efficiency up to 126 LPW • Light weight for easy installation • Enhanced 10kVA surge suppression for high reliability • Sleek, high performance design 	<ul style="list-style-type: none"> • Automobile Dealerships • Parking Lots • General Area Lighting 	<ul style="list-style-type: none"> • Universal voltage options: 120V-277V operation

ORDERING INFORMATION

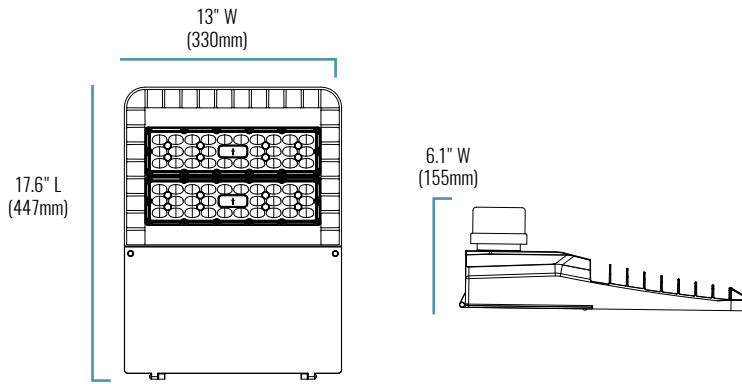
Example: C-AR-A-SL3-16L-30K-UL-3PC-DB

C-AR-A	SL3			UL	3PC	DB
PRODUCT	TYPE	LUMEN PACKAGE	CCT	VOLTAGE	INCLUDED	COLOR
C-AR-A	SL3 Area Light Type III SL4 Area Light Type IV SL5 Area Light Type V	16L - 30K only Type III: 16,100 Lumens, 150W Type IV: 16,200 Lumens, 150W Type V: 16,400 Lumens, 150W 18L - 40K & 50K only Type III: 17,800 Lumens, 150W Type IV: 17,900 Lumens, 150W Type V: 18,500 Lumens, 150W	30K Warm White (3000K) - 16L only 40K Neutral White (4000K) -18L only 50K Cool White (5000K) -18L only	UL 120V-277V	3PC 3-Pin Receptacle w/ Shortcap	DB Dark Bronze

CERTIFICATIONS:



C-AR-A-SL3/SL4/SL5-16L/18L Series



SERIES OVERVIEW

DIMENSIONS	PRODUCT WEIGHT	MOUNTING HEIGHT	SPACING
17.6" (447mm) L x 13" (330mm) W x 6.1" (155mm) H (with short cap)	10 lbs.	24-30 feet typical	4 to 5 times the mounting height to meet minimum security lighting

FIXTURE SPECIFICATIONS

HOUSING	Die-cast aluminum with hinged door for easy installation UV stabilized powder coat finish
LENS ASSEMBLY	Type III optics, Type IV optics, Type V optics
MOUNTING (SOLD SEPARATELY)	2" Slip Fitter for 2 3/8" O.D. tenon Trunion Mount 8" direct arm pole mount Tilt up to 45° orientation only

ELECTRICAL PERFORMANCE

OPERATING RANGE	LIFESPAN L ₇₀ AT 25°C (77°F)	POWER FACTOR	TOTAL HARMONIC DISTORTION
- 40°C (-40°F) - 40°C (104°F)	Estimated >100,000 Hours	> 0.9	< 20%


INPUT VOLTAGE	120V	208V	240V	277V
CURRENT DRAW (Amps):	1.279A	0.738A	0.640A	0.589A

WARRANTY AND CERTIFICATIONS




WARRANTY	UL LISTED	DLC
5 Year Limited*	Wet Locations	DLC Standard Qualified - 16L, 30K Only. DLC Premium Qualified Please refer to www.designlights.org/QPL for most current information

C-AR-A-SL3/SL4/SL5-16L/18L Series

ACCESSORIES

	PHOTOCELL - NEMA STYLE
	<p>SKU: C-ACC-A-PCELL-NEMA3-LV*</p> <p>USE: Dusk to Dawn operation</p> <p>* Consult factory for availability</p>

MOUNTING OPTIONS

	8" DIRECT POLE MOUNT
	<p>SKU: C-ACC-MTPL-AR-SL345-8IN-DB</p> <p>USE: For pole mounting on C-AR-A-SL Series</p>
	TRUNION MOUNT U BRACKET
	<p>SKU: C-ACC-A-AUB-AR-SL345-3X5X6-DB</p> <p>USE: For pole mounting on C-AR-A-SL Series</p>
	2" SLIP FITTER
	<p>SKU: C-ACC-A-MTSL-2IN</p> <p>USE: 2" Slip fitter for pole mount 2 3/8" tenon</p>

© 2018 Cree, Inc. and/or one of its subsidiaries. All rights reserved. For informational purposes only. Content is subject to change. Patent www.cree.com/patents. C-LITE™ and C-LITE LED Lighting by Cree logo are trademarks of Cree, Inc. The UL logo is a registered trademark of UL LLC. The DLC and the DLC QPL Premium logo are registered trademarks of Efficiency Forward, Inc.

US: www.c-lite.com T (800) 236-6800 F (262) 504-5415 Canada: www.cree.com/canada T (800) 473-1234 F (800) 890-7507
 Rev. Date: V1 01/10/2019 For informational purposes only. Content is subject to change. *See lighting.cree.com/warranty for details

C-LITE
 LED LIGHTING BY CREE