

C-AR-A-ARR5-53L Series

LED Area Light - Type VS
Replaces 1000W HID



UP TO 55% ENERGY SAVINGS COMPARED TO 1000W HID SOURCES!

Spend less time replacing light bulbs and increase visibility & security with the crisp, clear white light of our C-AR-A-ARR5-53L Series. With the power of LED technology, this series will reduce maintenance cycles and provide a long-lasting solution for area lighting



Fixture shown with 10" direct mount arm (sold separately)

PRODUCT SPECIFICATIONS

OVERVIEW

- Initial Delivered Lumens: 53,000
- CRI: ≥ 70
- CCT: Cool White 5000K
- Mounting: Sold Separately
- Input Power: 490 Watts
- Dimmable: No
- Operating Range: -40°C (-40°F) - 40°C (104°F)
- Lifespan: Estimated >54,000 Hours
- Power Factor: > 0.9
- Total Harmonic Distortion: < 20%
- Limited Warranty: 5 Years*
- Replaces 1000W HID

ADVANCED TECHNOLOGY	RECOMMENDED USE	INPUT VOLTAGE
<ul style="list-style-type: none">• Enhanced 10KVA surge suppression for added reliability• Highest lumen level of the category (53,000 lumens)	<ul style="list-style-type: none">• Automobile Dealerships• Parking Lots• General Area Lighting	<ul style="list-style-type: none">• Universal (120V through 277V Operation)

ORDERING INFORMATION

Example: C-AR-A-ARR5-53L-50K-UL-DB

C-AR-A	ARR5	53L	50K	UL	DB
PRODUCT	TYPE	LUMEN PACKAGE	CCT	VOLTAGE	COLOR
C-AR-A	ARR5 Area Light Type VS	53L 53,000 Lumens 490W	50K Cool White (5000K)	UL 120V-277V	DB Dark Bronze

CERTIFICATIONS:

US: c-lite.com T (800) 236-6800 F (262) 504-5415

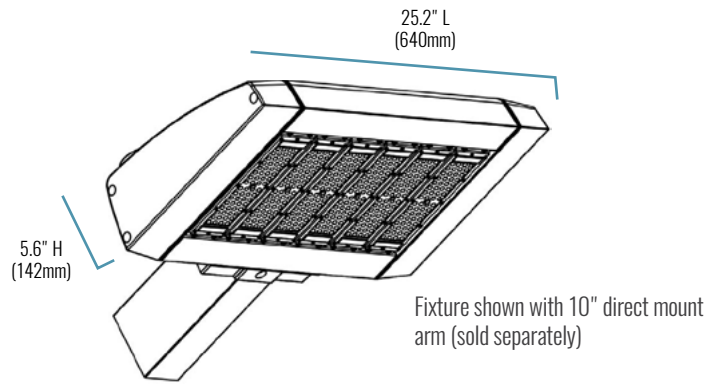
Canada: www.cree.com/canada T (800) 473-1234 F (800) 890-7507

Rev. Date: V1 11/07/2018

For informational purposes only. Content is subject to change. *See lighting.cree.com/warranty for details



C-AR-A-ARR5-53L Series



SERIES OVERVIEW

DIMENSIONS	PRODUCT WEIGHT	MOUNTING HEIGHT	SPACING
25.2" (640mm) L x 17.1" (434mm) W x 5.6" (142mm) H	47 lbs.	20 to 50 feet	1 to 2 times the mounting height

FIXTURE SPECIFICATIONS

HOUSING	Die-cast aluminum and extruded aluminum body
LENS ASSEMBLY	Type VS optics
MOUNTING (SOLD SEPARATELY)	Slip fitter Adjustable U-Bracket 10" direct arm pole mount Note: For use in 0° orientation only

ELECTRICAL PERFORMANCE

OPERATING MINIMUM	LIFESPAN L ₇₀ AT 25°C (77°F)	POWER FACTOR	TOTAL HARMONIC DISTORTION	DIMMABLE
- 40°C (-40°F) - 40°C (104°F)	Estimated >54,000 Hours	> 0.9	< 20%	No


INPUT VOLTAGE	120V	208V	240V	277V	347V	480V
CURRENT DRAW (Amps):	4.11A	2.37A	2.05A	1.77A	1.41A	1.05A

WARRANTY AND CERTIFICATIONS




WARRANTY	UL LISTED	DLC
5 Year Limited*	Wet Locations	DLC Standard Qualified Please refer to www.designlights.org/QPL for most current information

C-AR-A-ARR5-53L Series

ACCESSORIES

	PHOTOCELL - BUTTON, 120V/208V/240V/277V
	SKU: C-ACC-A-PCCELL-LV (120V) C-ACC-A-PCCELL-HV-TL (208V/240V/277V) USE: Photocell is field installed. For use with 2" adjustable slip fitter only

MOUNTING OPTIONS

	10" MOUNTING ARM
	SKU: C-ACC-A-MTPL-10IN-DB USE: For pole mounting. For use only with A-AR-A-ARR* Series
	2" SLIP FITTER
	SKU: C-ACC-A-MTSL-2IN USE: For pole mounting. Fits over 2-3/8" O.D. pipe
	ADJUSTABLE U-BRACKET
	SKU: C-ACC-A-AUB-5X6X6-DB USE: For pole mounting. For use only with A-AR-A-ARR* Series

© 2018 Cree, Inc. and/or one of its subsidiaries. All rights reserved. For informational purposes only. Content is subject to change. Patent www.cree.com/patents. The CREE LEDs logo, C-LITE™ and the C-LITE logo are trademarks of Cree, Inc. The UL logo is a registered trademark of UL LLC. The DLC QPL Premium logo is a trademark of Efficiency Forward, Inc.

US: c-lite.com T (800) 236-6800 F (262) 504-5415

Canada: www.cree.com/canada T (800) 473-1234 F (800) 890-7507

Rev. Date: V1 11/07/2018

For informational purposes only. Content is subject to change. *See lighting.cree.com/warranty for details

C-LITE
LED LIGHTING BY CREE