

# SSS Series

Crown-Weld® Straight Square Steel Poles

Rev. Date: V7 02/08/2022

## Product Description

Cree Lighting's proprietary Crown-Weld® pole base crown weld configuration was designed to minimize stress in areas most vulnerable to failure, provide superior strength and higher wind load ratings, than poles of similar height and cross-section. Both premium pole design and extended life finish combine for a 7-year limited warranty for a reduced lifetime cost of ownership.

Non-tapered square steel poles are supplied with a painted galvanized steel 2-piece base cover, four partially galvanized anchor bolts, Masonite mounting template and pole cap (except open top mount). Steel pole base has slotted holes to accommodate installation. A standard 3" x 5" hand hole is located 14" above the bottom of pole base on 4-6" poles. 3" poles have a 2-5/8" x 4-1/2" hand hole located 14" above the bottom of the base plate. A 1/2" stainless-steel weld stud with grounding lug is located inside the pole, opposite the hand hole.

Cree Lighting poles are steel shot cleaned to remove any rust, mill scale, oxides, or other unwanted particles from the pole resulting in a surface preparation that exceeds the specifications published by the SSPC-SP10. Iron phosphate is then applied, creating an iron oxide base with a flat or amorphous metal phosphate topcoat. This coating significantly adds to the performance of the finished coating by improving bonding and minimizing the spread of oxidation if the coating is scratched, improving corrosion resistance. Polyester powder coating is applied to a 6-mil thickness.

## CONSTRUCTION & MATERIALS

- Square, non tapered pole of structural steel tubing (ASTM A 500 Grade B) with a minimum yield strength of 50,000 p.s.i. (4-6" poles) or 46,000 p.s.i. (3" poles) welded to a formed carbon steel base plate (ASTM A-36 HRS) with a minimum yield strength of 36,000 p.s.i.
- Anchor bolts (F1554 Grade 55) are "L" bent bars having a minimum yield strength of 55,000 p.s.i. The bolts are at least partially galvanized per ASTM A153 specifications and furnished complete with two (2) hex nuts and 2 flat washers
- Base cover is 2 pc. 16 ga. painted galvanized steel which connects with two 410 stainless steel screws included
- Pole cap is painted PVC
- Optional GFI receptacle available. Refer to page 3 for details

## REGULATORY & VOLUNTARY QUALIFICATIONS

- National Electrical Code Requirements
- UL Listed in US for electrical ground bonding
- CSA Certified in Canada for ground bonding and structural strength
- RoHS Compliant (consult factory for details)

## LIMITED WARRANTY\*

- 7 years on pole and tenons/7 years on finish /1 year on GFI receptacle

\*See <http://creelighting.com/warranty> for warranty terms

## Ordering Information

Fully assembled pole is composed of two components that must be ordered separately. If required, a GFI must also be requested at time of order.

Example: **Anchor Bolts w/Template:** SSS-4-AB-3/4-28 + **Pole:** SSS-4-7-25-CW-BS-1D-C-BZ + **Optional GFI:** SSS-GFI-STANDARD



**Crown-Weld Base**  
(shown on 3" square pole)

Anchor Bolts /Templates (Pole must be ordered separately)										Optional GFI (Pole and Anchor Bolts must be ordered separately)	
SSS-											
SSS-3-AB-3/4-18 Anchor Bolts & Template for 3" Poles: 0.75" anchor bolts, 10" bolt circle (9.25-11" range)										<b>SSS-GFI-STANDARD</b> - Located 28" above the base of the pole on same side as hand hole. Consult factory for placement in other locations - Available only with 4"-6" poles	
SSS-4-AB-3/4-18 Anchor Bolts & Template for 4", 10-12" Poles: 0.75" anchor bolts, 10" bolt circle (9.25-11" range)											
SSS-4-AB-3/4-28 Anchor Bolts & Template for 4", 15" Poles: 0.75" anchor bolts, 10" bolt circle (9.25-11" range)											
SSS-5-AB-1-36 Anchor Bolts & Template for 5" Poles: 1" anchor bolts, 10" bolt circle (9.75-11.31" range)											
SSS-6-AB-1-36 Anchor Bolts & Template for 6" Poles: 1" anchor bolts, 11.5" bolt circle (11.25-12.75" range)											
Pole (Anchor bolts must be ordered separately)											
Design	Cross Section	Material	Shaft Size	Wall Thickness (GA)	Mounting Height	Base Type	Base Casting/ Cover	Mounting Configuration	Fixture Mounting Drill Pattern**	Finish	
S Straight	S Square	S Steel	3 = 3"	3" Poles 11 11 gauge (0.125")	3" Poles 10 = 10" 15 = 15" 20 = 20" 22 = 22" 25 = 25" 27 = 27" 30 = 30"	CW Crown Weld	BS Standard Metal	<b>Drilled Poles</b> 1D Drilled for Direct Mount (Single) 2D90 Drilled for Direct Mount (2@90deg) 2D18 Drilled for Direct Mount (2@180deg) 3D90 Drilled for Direct Mount (3@90deg) 4D90 Drilled for Direct Mount (4@90deg)	<b>Use w/Drilled Poles</b> C Standard Cree Lighting Drill Pattern - For use with Cree Lighting and C-LITE® area/flood luminaires except THE EDGE® High Output or OSQX Q OSQX Drill Pattern - Drill Pattern for use only with OSQX luminaires	BK Black BZ Bronze SV Silver WH White	
			4 = 4" 5 = 5" 6 = 6" 4" Poles 11 11 gauge (0.125") 7 7 gauge (0.188") - Available only in 20', 22', 25' and 30' mounting heights 5" Poles 7 7 gauge (0.188") 6" Poles 7 7 gauge (0.188")								

\* Order tenon separately. Refer to [Bracket and Tenons spec sheet](#) for additional information.

\*\* Refer to page 3 for fixture mounting patterns.

**CA RESIDENTS WARNING:** Cancer and Reproductive Harm - [www.p65warnings.ca.gov](http://www.p65warnings.ca.gov)

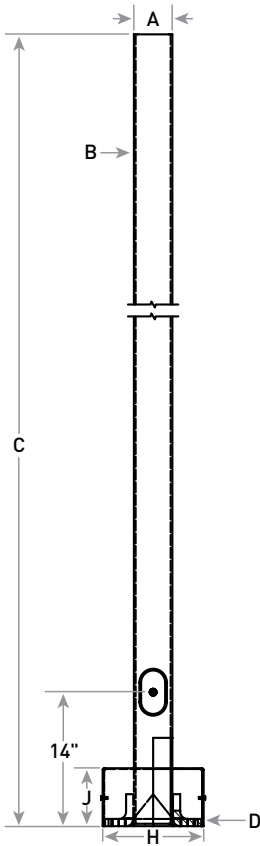


US: [creelighting.com](http://creelighting.com) (800) 236-6800

Canada: [creelighting-canada.com](http://creelighting-canada.com) (800) 473-1234

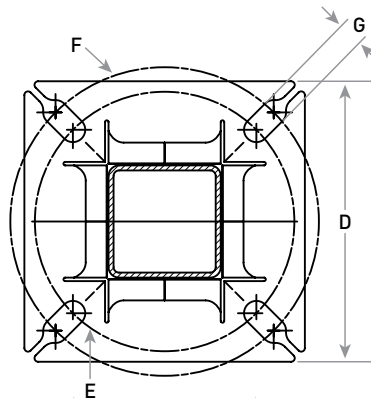
**CREE** **LIGHTING**®

**Pole Drawing**



Refer to page 4 for dimensions A-J. Dimensions are based on pole selection.

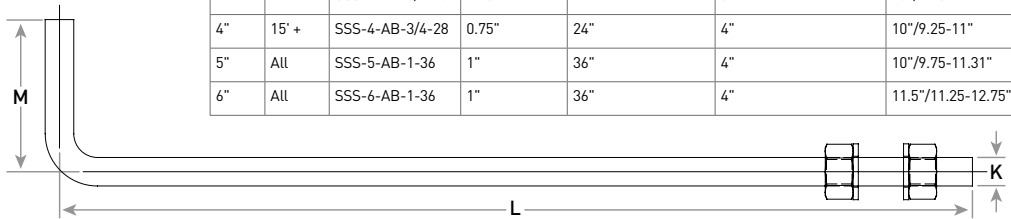
**Base Plate Detail**



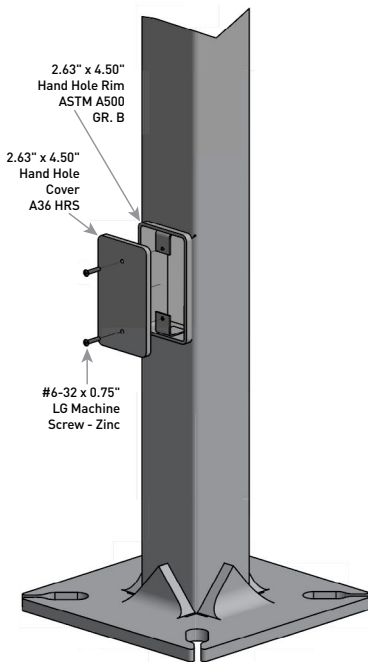
Refer to page 4 for dimensions A-J. Dimensions are based on pole selection.

**Anchor Bolt Detail**

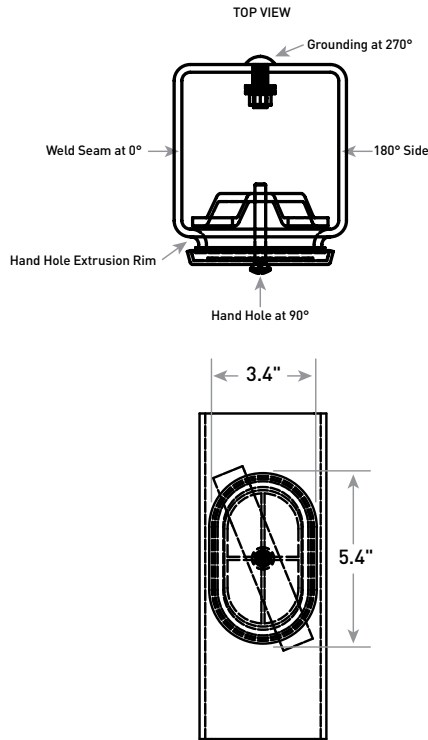
Pole Width	Pole Height	Part Number	Anchor Bolt Diameter (K)	Anchor Bolt Vertical Length (L)	Anchor Bolt Horizontal Length (M)	Bolt Circle/Range
3"	All	SSS-3-AB-3/4-18	0.75"	17"	3"	10"/9.25-11"
4"	10'-12'	SSS-4-AB-3/4-18	0.75"	17"	3"	10"/9.25-11"
4"	15' +	SSS-4-AB-3/4-28	0.75"	24"	4"	10"/9.25-11"
5"	All	SSS-5-AB-1-36	1"	36"	4"	10"/9.75-11.31"
6"	All	SSS-6-AB-1-36	1"	36"	4"	11.5"/11.25-12.75"



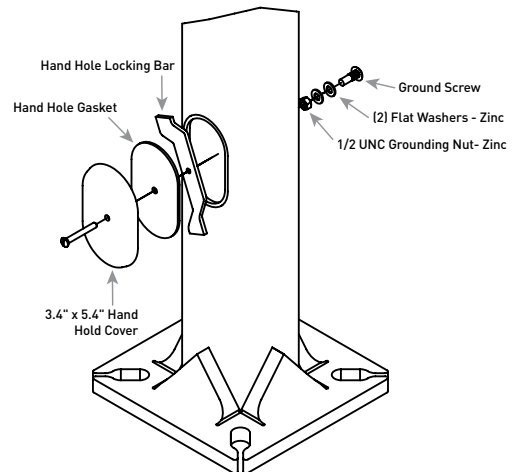
**Hand Hole Drawings (3" Poles Only)**



**Hand Hole Drawings (4-6" Poles Only)**

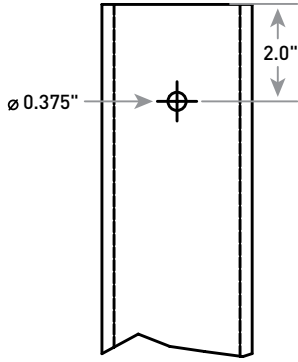


**ISOMETRIC VIEW**

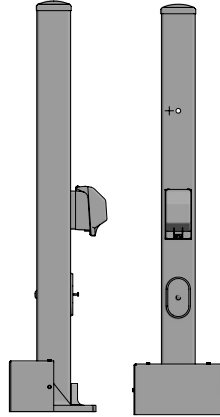


**Fixture Mounting Drill Patterns**

**N - Open Top Mounting Configuration**



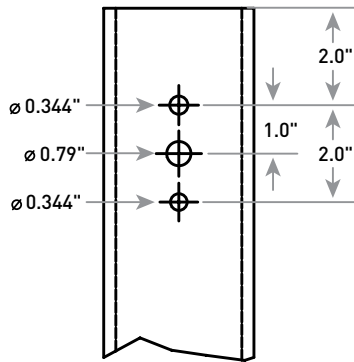
**Optional GFI (shown on 4-6" pole)**



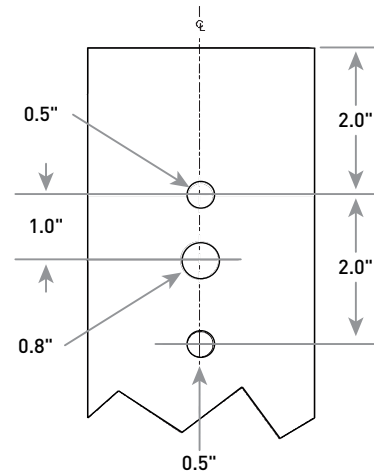
**CONSTRUCTION & MATERIALS**

- Heavy-duty steel construction
- Lockable security cover
- Includes adapter plates and foam gasket
- 20A, 120V, 60Hz GFCI, and cover also included
- 3-1/4" internal depth
- Standard GFI is located 28" above the pole base on the same side as the hand hole. Consult factory for placement in other locations
- Weatherproof while in use
- Meets NEC Extra Duty requirements
- Receptacle and cover ship separately in hardware bag

**C - Standard Cree Lighting Fixture Mounting Drill Pattern**



**Q - OSQX Mounting Drill Pattern**



**Tenon EPA**

Part Number	EPA
PB-1A*	None
PB-2A*	0.82
PB-3A*	1.52
PB-4A* (180)	2.22
PB-4A* (90)	1.11
PD Series Tenons	0.09
PW-1A3**	0.47
PW-2A3**	0.94
XA-TMDA8	0.07

**Tenons and Brackets<sup>†</sup> (must specify color)**

**Square Internal Mount Vertical Tenons (Steel)**

- Mounts to 3-6" (76-152mm) square aluminum or steel poles
  - For use with adjustable arm & horizontal/vertical tenon mounts
  - Not for use with THE EDGE® Area Round Post Top mounts
- |                      |                         |
|----------------------|-------------------------|
| PB-1A* - Single      | PB-4A*(90) - 90° Quad   |
| PB-2A* - 180° Twin   | PB-4A*(180) - 180° Quad |
| PB-3A* - 180° Triple |                         |

**Mid-Pole Bracket (Steel)**

- Mounts to square pole
  - For use with adjustable arm & horizontal/vertical tenon mounts
- PW-1A3\*\* - Single  
PW-2A3\*\* - Double

**Square Internal Mount Horizontal Tenons (Aluminum)**

- Mounts to 4" (102mm) square aluminum or steel poles
  - For use with adjustable arm mounts and RUL luminaires
  - Not for use with THE EDGE® High Output or OSQX Area/Flood luminaires
- |                         |                         |
|-------------------------|-------------------------|
| PD-2A4(90) - 90° Twin   | PD-3A4(90) - 90° Triple |
| PD-2A4(180) - 180° Twin | PD-4A4(90) - 90° Quad   |

**Direct Arm Pole Adaptor Bracket (Aluminum)**

- Mounts to 3-6" (76-152mm) round or square aluminum or steel poles
  - For use with horizontal tenon mounts that require extended tenon length
  - Not for use with THE EDGE® High Output or OSQX Area/Flood luminaires
- XA-TMDA8

**Square Internal Mount Horizontal Tenons (Aluminum)**

- Mounts to 4" (102mm) square aluminum or steel poles
  - For use with horizontal tenon mounts that require extended tenon length
  - Not for use with THE EDGE® High Output or OSQX Area/Flood luminaires
- |                         |                         |
|-------------------------|-------------------------|
| PD-1H4 - Single         | PD-3H4(90) - 90° Triple |
| PD-2H4(90) - 90° Twin   | PD-4H4(90) - 90° Quad   |
| PD-2H4(180) - 180° Twin |                         |

<sup>†</sup> Refer to the [Bracket and Tenons spec sheet](#) for more details on tenons. Refer to product specification sheets for compatible tenons.

\* Specify pole size: 3 (3"), 4 (4"), 5 (5"), or 6 (6") for single, double or triple luminaire orientation or 4 (4"), 5 (5"), or 6 (6") for quad luminaire orientation

\*\* These EPA values must be multiplied by the following ratio: Fixture Mounting Height/Total Pole Height. Specify pole size: 3 (3"), 4 (4"), 5 (5"), or 6 (6").

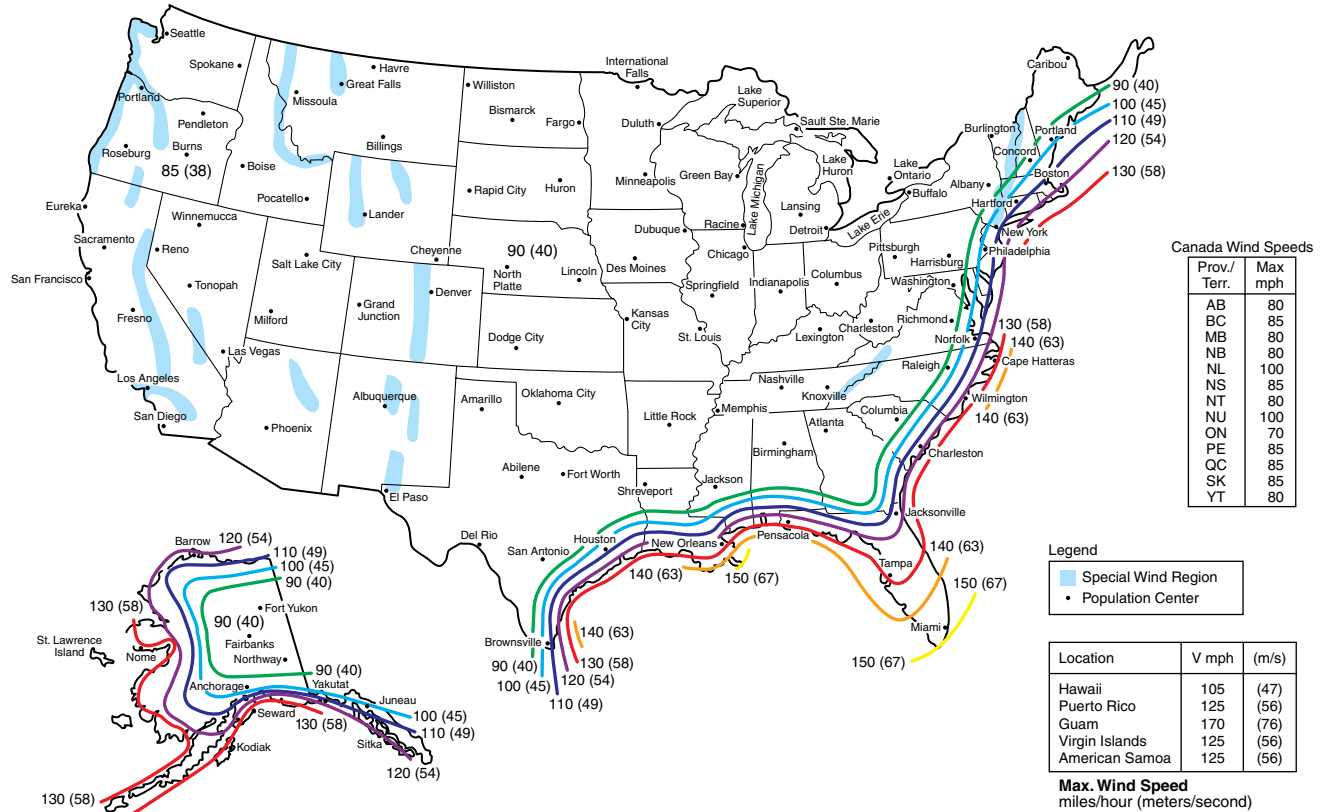
**Dimensions, EPA & Weight**

Product	Width (A) x Wall (B) x Height (C)	Base Plate (D) x Thickness	Bolt Circle/Range Min (E) - Max (F)	Bolt Hole Size (G)	Base Cover (H) x Height (J)	Pole EPA Rating – Base Wind Velocity (MPH)								Maximum Luminaire Weight	Approx. Shipping Weight
						70	80	90	100	110	120	130	140		
SSS-3-11-10-CW-BS	3" x 11ga. x 10'	10" Sq. x 0.50"	10"/9.25-11"	0.88"	10.44" SQ x 5.5"	31.4	23.6	18.2	14.3	11.5	9.3	7.0	6.3	250 lbs. (114kg)	58 lbs. (26kg)
SSS-3-11-15-CW-BS	3" x 11ga. x 15'	10" Sq. x 0.50"	10"/9.25-11"	0.88"	10.44" SQ x 5.5"	18.5	13.4	9.9	7.4	5.5	4.1	3.0	2.2	250 lbs. (114kg)	82 lbs. (37kg)
SSS-4-11-10-CW-BS	4" x 11ga. x 10'	10" Sq. x 0.75"	10"/9.25-11"	0.88"	10.44" SQ x 5.5"	59.9	45.2	35.1	27.9	22.6	18.5	15.4	12.9	350 lbs. (159kg)	78 lbs. (35kg)
SSS-4-11-12-CW-BS	4" x 11ga. x 12'	10" Sq. x 0.75"	10"/9.25-11"	0.88"	10.44" SQ x 5.5"	48.4	36.2	27.9	21.9	17.5	14.2	11.6	9.5	350 lbs. (159kg)	99 lbs. (45kg)
SSS-4-11-15-CW-BS	4" x 11ga. x 15'	10" Sq. x 0.75"	10"/9.25-11"	0.88"	10.44" SQ x 5.5"	36.5	26.9	20.3	15.6	12.1	9.5	7.4	5.8	350 lbs. (159kg)	119 lbs. (54kg)
SSS-4-11-17-CW-BS	4" x 11ga. x 17'	10" Sq. x 0.75"	10"/9.25-11"	0.88"	10.44" SQ x 5.5"	30.7	22.3	16.6	12.5	9.4	7.1	5.3	3.9	350 lbs. (159kg)	131 lbs. (59kg)
SSS-4-11-20-CW-BS	4" x 11ga. x 20'	10" Sq. x 0.75"	10"/9.25-11"	0.88"	10.44" SQ x 5.5"	24.0	16.9	12.1	8.7	6.1	4.2	2.7	1.5	350 lbs. (159kg)	150 lbs. (68kg)
SSS-4-11-22-CW-BS	4" x 11ga. x 22'	10" Sq. x 0.75"	10"/9.25-11"	0.88"	10.44" SQ x 5.5"	20.4	14.0	9.7	6.6	4.3	2.5	1.2	0.1	310 lbs. (141kg)	163 lbs. (74kg)
SSS-4-11-25-CW-BS	4" x 11ga. x 25'	10" Sq. x 0.75"	10"/9.25-11"	0.88"	10.44" SQ x 5.5"	15.9	10.4	6.6	3.9	1.9	0.4	0.0	0.0	350 lbs. (159kg)	182 lbs. (83kg)
SSS-4-11-27-CW-BS*	4" x 11ga. x 27'	10" Sq. x 0.75"	10"/9.25-11"	0.88"	10.44" SQ x 5.5"	22.0	14.9	10.0	6.6	4.0	2.0	0.0	0.0	280 lbs. (127kg)	232 lbs. (105kg)
SSS-4-11-30-CW-BS*	4" x 11ga. x 30'	10" Sq. x 0.75"	10"/9.25-11"	0.88"	10.44" SQ x 5.5"	17.7	11.4	7.1	4.0	1.7	0.0	0.0	0.0	315 lbs. (143kg)	301 lbs. (137kg)
SSS-4-7-20-CW-BS	4" x 7ga. x 20'	10" Sq. x 0.75"	10"/9.25-11"	0.88"	10.44" SQ x 5.5"	35.9	26.1	19.3	14.5	10.9	8.2	6.1	4.4	350 lbs. (159kg)	177 lbs. (80kg)
SSS-4-7-22-CW-BS	4" x 7ga. x 22'	10" Sq. x 0.75"	10"/9.25-11"	0.88"	10.44" SQ x 5.5"	31.1	22.3	16.2	11.8	8.6	6.2	4.3	2.8	350 lbs. (159kg)	207 lbs. (94kg)
SSS-4-7-25-CW-BS	4" x 7ga. x 25'	10" Sq. x 0.75"	10"/9.25-11"	0.88"	10.44" SQ x 5.5"	25.3	17.6	12.3	8.5	5.7	3.6	1.9	0.6	350 lbs. (159kg)	252 lbs. (114kg)
SSS-4-7-30-CW-BS	4" x 7ga. x 30'	10" Sq. x 0.75"	10"/9.25-11"	0.88"	10.44" SQ x 5.5"	19.5	12.5	7.8	4.4	1.9	0.0	0.0	0.0	340 lbs. (155kg)	337 lbs. (153kg)
SSS-5-7-15-CW-BS	5" x 7ga. x 15'	10" Sq. x 0.75"	10"/9.75-11.31"	1.25"	10.44" SQ x 5.5"	87.4	65.6	50.7	40.0	32.1	26.1	21.4	17.7	450 lbs. (204kg)	202 lbs. (92kg)
SSS-5-7-20-CW-BS	5" x 7ga. x 20'	10" Sq. x 0.75"	10"/9.75-11.31"	1.25"	10.44" SQ x 5.5"	60.6	44.6	33.7	25.8	20.0	15.6	12.2	9.5	450 lbs. (204kg)	261 lbs. (118kg)
SSS-5-7-22-CW-BS	5" x 7ga. x 22'	10" Sq. x 0.75"	10"/9.75-11.31"	1.25"	10.44" SQ x 5.5"	53.1	38.7	28.8	21.7	16.5	12.5	9.4	7.0	450 lbs. (204kg)	285 lbs. (129kg)
SSS-5-7-25-CW-BS	5" x 7ga. x 25'	10" Sq. x 0.75"	10"/9.75-11.31"	1.25"	10.44" SQ x 5.5"	43.9	31.4	22.8	16.6	12.1	8.7	6.0	3.8	450 lbs. (204kg)	320 lbs. (145kg)
SSS-5-7-30-CW-BS	5" x 7ga. x 30'	10" Sq. x 0.75"	10"/9.75-11.31"	1.25"	10.44" SQ x 5.5"	32.2	21.9	14.9	9.9	6.2	3.4	1.2	0.0	375 lbs. (170kg)	379 lbs. (172kg)
SSS-6-7-25-CW-BS	6" x 7ga. x 25'	12" Sq. x 1"	11.5"/11.25-12.75"	1.25"	12.44" SQ x 6.15"	67.5	49.0	36.3	27.2	20.5	15.4	11.4	8.3	525 lbs. (238kg)	396 lbs. (180kg)
SSS-6-7-30-CW-BS	6" x 7ga. x 30'	12" Sq. x 1"	11.5"/11.25-12.75"	1.25"	12.44" SQ x 6.15"	50.8	35.7	25.3	17.9	12.4	8.2	4.9	2.4	525 lbs. (238kg)	457 lbs. (207kg)

**NOTE:** Hanging signs, banners and flags on poles changes the EPA rating and increases vibration. The EPA ratings data provided does not allow for this added stress which could result in pole or luminaire failure.  
 \* Includes an internal 5/16" steel reinforced sleeve welded inside the bottom 24" of the pole as well as a reinforcement welded around the hand hole for added strength.

# Crown-Weld® Straight Square Steel Poles

This map indicates approximate maximum wind zones throughout the U.S. Base wind velocities are established using a 50-year recurring mean. The EPA rating of the pole must be equal to or greater than that of the luminaire(s), taking into consideration the wind conditions at the job site.



© 2022 Cree Lighting, A company of IDEAL INDUSTRIES. All rights reserved. For informational purposes only. Content is subject to change. Patent [www.creelighting.com/patents](http://www.creelighting.com/patents). Cree® and the Cree Lighting logo are registered trademarks of Cree, Inc. Crown-Weld®, THE EDGE®, and C-Lite® are registered trademarks, and OSQ™ is a trademark of Cree Lighting, A company of IDEAL INDUSTRIES. The UL logo is a registered trademark of UL LLC.