

LPI Series

Straight Square Steel Poles

Rev. Date: V1 02/08/2022

Product Description

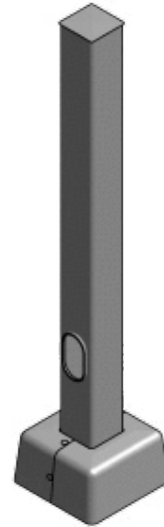
Cree Lighting's LPI Series square straight steel poles are constructed of ASTM A 500 Grade B carbon steel structural tubing which provides a minimum yield strength of 46,0000 psi. The one-piece construction with a full-length longitudinal resistance weld is uniformly square in cross section with flat sides, small corner radii and excellent torsional properties. The pole is welded to a formed carbon steel base plate (ASTM A-36 HRS) with a minimum yield strength of 36,000 psi. Pole base has slotted holes to accommodate installation. Poles are supplied with a paper mounting template, four partially galvanized (ASTM A153) L-shaped anchor bolts with a minimum yield strength of 55,000 psi, eight hex nuts and eight flat washers. A two-piece ABS plastic base cover that secures with four push pins provides a rust-proof and tamper resistant cover for the base plate and anchor bolts. A 3" x 5" (4-6" poles) or 1.63" x 3.5" (3" poles) hand hole is located 14" above the bottom of pole base. A 1/2" stainless-steel weld stud with grounding lug is located inside the pole, opposite the hand hole. Drilled poles include a painted plastic pole cap with a spring steel clip. The welded tenon top mounting configuration includes a 2.38" O.D. x 4" long tenon at the top of the pole. The open top mounting configuration is designed to accept internal mount tenons or brackets.

Cree Lighting poles are steel shot cleaned to remove any rust, mill scale, oxides, or other unwanted particles from the pole resulting in a surface preparation that exceeds the specifications published by the SSPC-SP10. Iron phosphate is then applied, creating an iron oxide base with a flat or amorphous metal phosphate topcoat. This coating significantly adds to the performance of the finished coating by improving bonding and minimizing the spread of oxidation if the coating is scratched, improving corrosion resistance. Polyester powder coating is applied to a 6-mil thickness.

LIMITED WARRANTY*

- 7 years on pole and tenons/7 years on finish /1 year on GFI receptacle

* See <http://creelighting.com/warranty> for warranty terms



Ordering Information

Fully assembled pole is composed of two components that must be ordered separately.

Example: **Anchor Bolts w/Template:** LPI4ABT-0 + **Pole:** LPI4C251Z-0

Anchor Bolts/Templates	
LPI3ABT-0	Anchor Bolts & Template for 3" Poles: 0.75" anchor bolts, 8.5" bolt circle (8-9" range)
LPI4ABT-0	Anchor Bolts & Template for 4" Poles: 0.75" anchor bolts, 8.5" bolt circle (8-9" range)
LPI5ABT-0	Anchor Bolts & Template for 5" Poles: 1" anchor bolts, 11" bolt circle (10-12" range)
LPI6ABT-0	Anchor Bolts & Template for 6" Poles: 1" anchor bolts, 11.5" bolt circle (11-12" range)

LPI	Product	Face (IN)/Wall Thickness (GA)	Pole Height (FT)	Mounting Configuration	Fixture Mounting Drill Pattern**	Color Options	Options	Pole Only Designator
LPI	3C 3", 11 gauge (0.125") 4C 4", 11 gauge (0.125") 4S 4", 7 gauge (0.188") - Available only in 20', 22' and 25' mounting heights 5S 5", 7 gauge (0.188") 6S 6", 7 gauge (0.188")	3" Poles 10=10' 15=15' 4" Poles 10=10' 12=12' 13=13' 14=14' 15=15' 17=17' 18=18' 20=20' 22=22' 23=23' 25=25' 5" Poles 20=20' 22=22' 25=25' 30=30' 6" Poles 30=30'	Drilled Poles 1 Drilled for Direct Mount (Single) 2 Drilled for Direct Mount (2@180deg) 3 Drilled for Direct Mount (2@90deg) 5 Drilled for Direct Mount (3@90deg) 6 Drilled for Direct Mount (4@90deg) Open Top Poles T* Open top to accept internal mount tenons Welded Tenon Top Poles W Welded Tenon Top - 2.38" O.D. x 4.0" Long	Use Only w/Drilled Poles BLANK Standard Cree Lighting Drill Pattern - For use with Cree Lighting and C-LITE® area/flood luminaires except THE EDGE® High Output or OSQX Q OSQX Drill Pattern - Drill Pattern for use only with OSQX luminaires	K Black S Silver W White Z Bronze	CSA CSA Certified for Canada GFI Standard GFI - Located 28" above the base of the pole on same side as hand hole. Consult factory for placement in other locations - Available only with 4"-6" poles UL ULus Listed	-0 Order anchor bolts & templates separately	

* Order tenon separately. Refer to [Bracket and Tenons spec sheet](#) for additional information.

** Refer to page 3 for fixture mounting patterns.

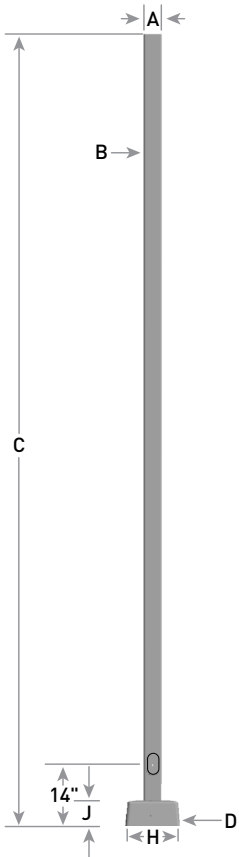


US: creelighting.com (800) 236-6800

Canada: creelighting-canada.com (800) 473-1234

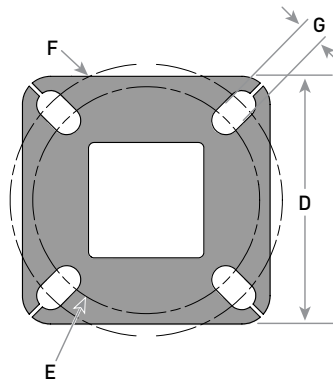
CREE ⇄ **LIGHTING**®

Pole Drawing



Refer to page 4 for dimensions A-J. Dimensions are based on pole selection.

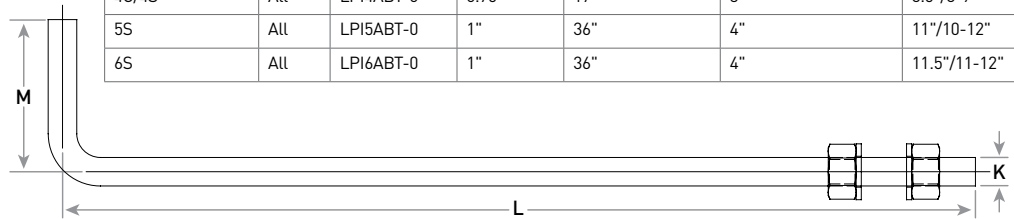
Base Plate Detail



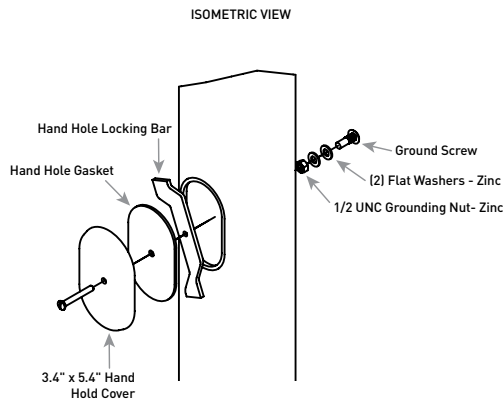
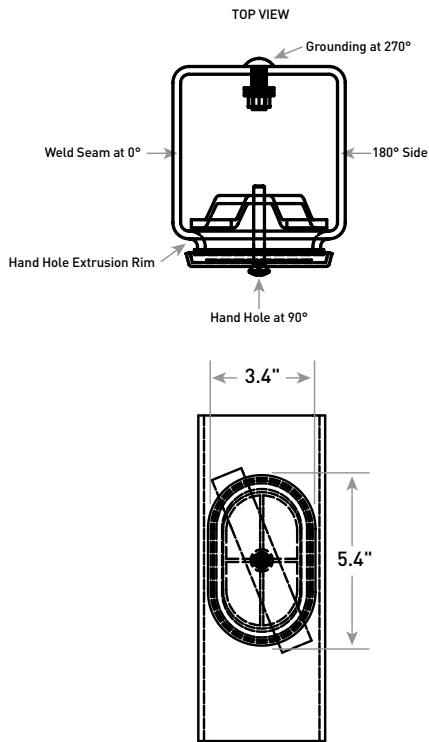
Refer to page 4 for dimensions A-J. Dimensions are based on pole selection.

Anchor Bolt Detail

Face (IN)/Wall Thickness (GA)	Pole Height	Part Number	Anchor Bolt Diameter (K)	Anchor Bolt Vertical Length (L)	Anchor Bolt Horizontal Length (M)	Bolt Circle/Range
3C	All	LPI3ABT-0	0.75"	17"	3"	8.5"/8-9"
4C/4S	All	LPI4ABT-0	0.75"	17"	3"	8.5"/8-9"
5S	All	LPI5ABT-0	1"	36"	4"	11"/10-12"
6S	All	LPI6ABT-0	1"	36"	4"	11.5"/11-12"



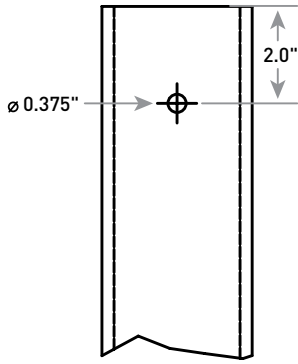
Hand Hole Drawings (4-6" Poles Only)



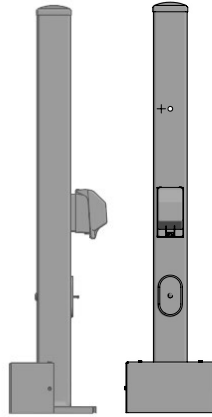
Note: Hand hole on 3" poles is 1.63" x 3.5" oval.

Fixture Mounting Drill Patterns

T - Open Top Mounting Configuration



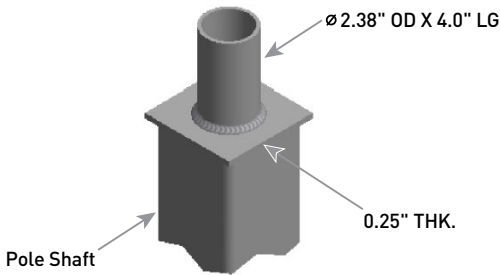
Optional GFI (shown on 4-6" pole)



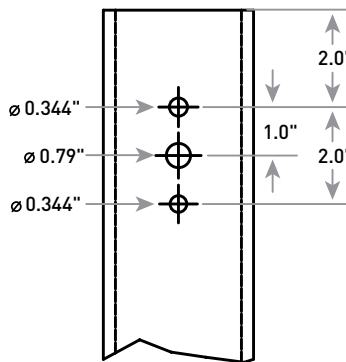
CONSTRUCTION & MATERIALS

- Heavy-duty steel construction
- Lockable security cover
- Includes adapter plates and foam gasket
- 20A, 120V, 60Hz GFCI, and cover also included
- 3-1/4" internal depth
- Standard GFI is located 28" above the pole base on the same side as the hand hole. Consult factory for placement in other locations
- Weatherproof while in use
- Meets NEC Extra Duty requirements
- Receptacle and cover ship separately in hardware bag

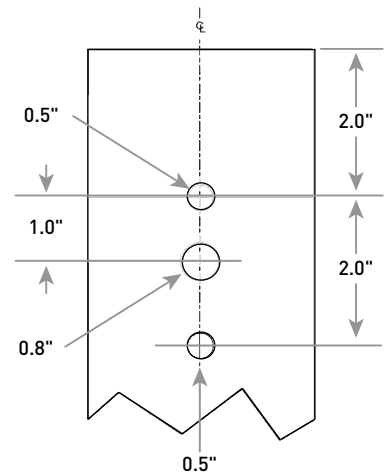
W - Welded Tenon Top Mounting Configuration



Standard Cree Lighting Fixture Mounting Drill Pattern



Q - OSQX Fixture Mounting Drill Pattern



Tenon EPA

Part Number	EPA
PB-1A*	None
PB-2A*	0.82
PB-3A*	1.52
PB-4A* (180)	2.22
PB-4A* (90)	1.11
PD Series Tenons	0.09
XA-TMDA8	0.07

Tenons and Brackets[†] (must specify color)

Square Internal Mount Vertical Tenons (Steel)

- Mounts to 3-6" (76-152mm) square aluminum or steel poles
 - For use with adjustable arm & horizontal/vertical tenon mounts
 - Not for use with THE EDGE® Area Round Post Top mounts
- PB-1A* - Single PB-4A*(90) - 90° Quad
 PB-2A* - 180° Twin PB-4A*(180) - 180° Quad
 PB-3A* - 180° Triple

Direct Arm Pole Adaptor Bracket (Aluminum)

- Mounts to 3-6" (76-152mm) round or square aluminum or steel poles
 - For use with horizontal tenon mounts that require extended tenon length
 - Not for use with THE EDGE® High Output or OSQX Area/Flood luminaires
- XA-TMDA8

Square Internal Mount Horizontal Tenons (Aluminum)

- Mounts to 4" (102mm) square aluminum or steel poles
 - For use with adjustable arm mounts and RUL luminaires
 - Not for use with THE EDGE® High Output or OSQX Area/Flood luminaires
- PD-2A4(90) - 90° Twin PD-3A4(90) - 90° Triple
 PD-2A4(180) - 180° Twin PD-4A4(90) - 90° Quad

Square Internal Mount Horizontal Tenons (Aluminum)

- Mounts to 4" (102mm) square aluminum or steel poles
 - For use with horizontal tenon mounts that require extended tenon length
 - Not for use with THE EDGE® High Output or OSQX Area/Flood luminaires
- PD-1H4 - Single PD-3H4(90) - 90° Triple
 PD-2H4(90) - 90° Twin PD-4H4(90) - 90° Quad
 PD-2H4(180) - 180° Twin

[†] Refer to the [Bracket and Tenons spec sheet](#) for more details on tenons. Refer to product specification sheets for compatible tenons.

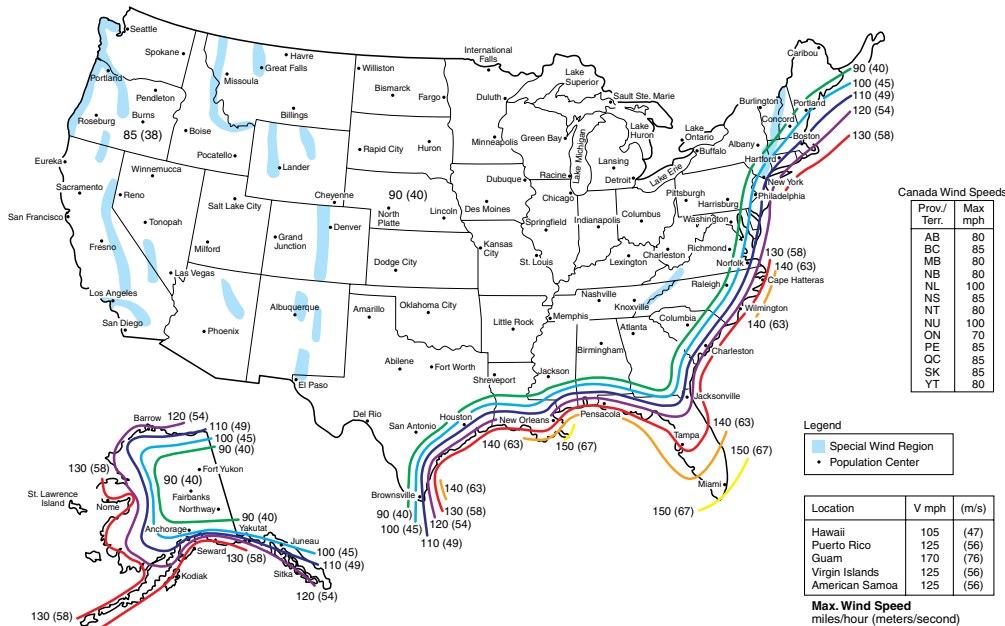
* Specify pole size: 3 (3"), 4 (4"), 5 (5"), or 6 (6") for single, double or triple luminaire orientation or 4 (4"), 5 (5"), or 6 (6") for quad luminaire orientation.

Dimensions, EPA & Weight

Pole	Face (A) x Wall (B) x Height (C)	Base Plate (D) x Thickness	Bolt Circle/Range Min (E) - Max (F)	Bolt Hole Size (G)	Base Cover (H) x Height (J)	AASHTO LTS-6					Maximum Luminaire Weight	Approx. Shipping Weight
						80	90	100	120	140		
LPI3C10*-0	3" x 11ga. x 10'	8" Sq. x 0.75"	8.5"/8-9"	1"	9.88" Sq. x 5.25"	20.2	15.6	12.28	7.94	5.33	150 lbs.	61 lbs.
LPI3C15*-0	3" x 11ga. x 15'	8" Sq. x 0.75"	8.5"/8-9"	1"	9.88" Sq. x 5.25"	11.75	8.68	6.48	3.62	1.9	150 lbs.	85 lbs.
LPI4C10*-0	4" x 11ga. x 10'	8" Sq. x 0.75"	8.5"/8-9"	1"	9.88" Sq. x 5.25"	31.2	28.8	22.8	14.98	10.27	150 lbs.	96 lbs.
LPI4C12*-0	4" x 11ga. x 12'	8" Sq. x 0.75"	8.5"/8-9"	1"	9.88" Sq. x 5.25"	29.89	22.92	17.94	11.45	7.53	150 lbs.	108 lbs.
LPI4C13*-0	4" x 11ga. x 13'	8" Sq. x 0.75"	8.5"/8-9"	1"	9.88" Sq. x 5.25"	27.03	20.61	16.01	10.02	6.41	150 lbs.	114 lbs.
LPI4C14*-0	4" x 11ga. x 14'	8" Sq. x 0.75"	8.5"/8-9"	1"	9.88" Sq. x 5.25"	24.54	18.58	14.31	8.76	5.41	150 lbs.	120 lbs.
LPI4C15*-0	4" x 11ga. x 15'	8" Sq. x 0.75"	8.5"/8-9"	1"	9.88" Sq. x 5.25"	22.33	16.78	12.81	7.63	4.51	150 lbs.	126 lbs.
LPI4C17*-0	4" x 11ga. x 17'	8" Sq. x 0.75"	8.5"/8-9"	1"	9.88" Sq. x 5.25"	18.57	13.69	10.2	5.65	2.91	150 lbs.	138 lbs.
LPI4C18*-0	4" x 11ga. x 18'	8" Sq. x 0.75"	8.5"/8-9"	1"	9.88" Sq. x 5.25"	16.75	12.21	8.96	4.73	2.25	150 lbs.	144 lbs.
LPI4C20*-0	4" x 11ga. x 20'	8" Sq. x 0.75"	8.5"/8-9"	1"	9.88" Sq. x 5.25"	13.64	9.65	6.8	3.09	0.85	150 lbs.	156 lbs.
LPI4C22*-0	4" x 11ga. x 22'	8" Sq. x 0.75"	8.5"/8-9"	1"	9.88" Sq. x 5.25"	11.03	7.5	4.97	1.68	N/A	150 lbs.	168 lbs.
LPI4C23*-0	4" x 11ga. x 23'	8" Sq. x 0.75"	8.5"/8-9"	1"	9.88" Sq. x 5.25"	9.87	6.54	4.15	1.04	N/A	150 lbs.	174 lbs.
LPI4C25*-0	4" x 11ga. x 25'	8" Sq. x 0.75"	8.5"/8-9"	1"	9.88" Sq. x 5.25"	7.8	4.8	2.65	N/A	N/A	150 lbs.	191 lbs.
LPI4S20*-0	4" x 7ga. x 20'	8" Sq. x 0.75"	8.5"/8-9"	1"	9.88" Sq. x 5.25"	21.6	15.64	11.76	6.71	3.66	150 lbs.	222 lbs.
LPI4S22*-0	4" x 7ga. x 22'	8" Sq. x 0.75"	8.5"/8-9"	1"	9.88" Sq. x 5.25"	17.85	13.01	9.56	5.05	2.34	150 lbs.	246 lbs.
LPI4S25*-0	4" x 7ga. x 25'	8" Sq. x 0.75"	8.5"/8-9"	1"	9.88" Sq. x 5.25"	13.93	9.79	6.83	2.97	0.64	150 lbs.	259 lbs.
LPI5S20*-0	5" x 7ga. x 20'	11" Sq. x 1"	11"/10-12"	1.25"	12.13" Sq. x 6"	38.9	29.39	22.59	13.73	8.38	150 lbs.	304 lbs.
LPI5S22*-0	5" x 7ga. x 22'	11" Sq. x 1"	11"/10-12"	1.25"	12.13" Sq. x 6"	33.32	24.86	18.82	10.94	6.19	150 lbs.	336 lbs.
LPI5S25*-0	5" x 7ga. x 25'	11" Sq. x 1"	11"/10-12"	1.25"	12.13" Sq. x 6"	26.55	19.35	14.19	7.48	3.43	150 lbs.	351 lbs.
LPI5S30*-0	5" x 7ga. x 30'	11" Sq. x 1"	11"/10-12"	1.25"	12.13" Sq. x 6"	18.05	12.33	8.24	2.91	N/A	150 lbs.	422 lbs.
LPI6S30*-0	6" x 7ga. x 30'	12" Sq. x 1"	11.5"/11-12"	1.25"	13.5" Sq. x 5.5"	27.25	19.11	13.59	5.71	1.14	150 lbs.	503 lbs.

* Mounting configuration, fixture mounting drill pattern, color options, and pole options from ordering table on page 1.
NOTE: Hanging signs, banners and flags on poles changes the EPA rating and increases vibration. The EPA ratings data provided does not allow for this added stress which could result in pole or luminaire failure.

This map indicates approximate maximum wind zones throughout the U.S. Base wind velocities are established using a 50-year recurring mean. The EPA rating of the pole must be equal to or greater than that of the luminaire(s), taking into consideration the wind conditions at the job site.



Dimensions, EPA & Weight

Pole	Face (A) x Wall (B) x Height (C)	Base Plate (D) x Thickness	Bolt Circle/ Range Min (E) - Max (F)	Bolt Hole Size (G)	Base Cover (H) x Height (J)	FBC							Maximum Luminaire Weight	Approx. Shipping Weight
						120	130	140	150	160	170	180		
LPI3C10*-0	3" x 11ga. x 10'	8" Sq. x 0.75"	8.5"/8-9"	1"	9.88" Sq. x 5.25"	27.8	23.4	19.9	17.1	14.8	12.9	11.2	150 lbs.	61 lbs.
LPI3C15*-0	3" x 11ga. x 15'	8" Sq. x 0.75"	8.5"/8-9"	1"	9.88" Sq. x 5.25"	16.9	14	11.6	9.8	8.2	6.9	5.9	150 lbs.	85 lbs.
LPI4C10*-0	4" x 11ga. x 10'	8" Sq. x 0.75"	8.5"/8-9"	1"	9.88" Sq. x 5.25"	31.2	26.2	22.2	19	16.4	14.2	12.2	150 lbs.	96 lbs.
LPI4C12*-0	4" x 11ga. x 12'	8" Sq. x 0.75"	8.5"/8-9"	1"	9.88" Sq. x 5.25"	25	20.8	17.5	14.8	12.6	10.8	9.2	150 lbs.	108 lbs.
LPI4C13*-0	4" x 11ga. x 13'	8" Sq. x 0.75"	8.5"/8-9"	1"	9.88" Sq. x 5.25"	22.6	18.7	15.6	13.1	11.1	9.4	8	150 lbs.	114 lbs.
LPI4C14*-0	4" x 11ga. x 14'	8" Sq. x 0.75"	8.5"/8-9"	1"	9.88" Sq. x 5.25"	20.4	16.8	13.9	11.6	9.7	8.2	6.9	150 lbs.	120 lbs.
LPI4C15*-0	4" x 11ga. x 15'	8" Sq. x 0.75"	8.5"/8-9"	1"	9.88" Sq. x 5.25"	18.5	15.1	12.5	10.3	8.5	7.2	5.8	150 lbs.	126 lbs.
LPI4C17*-0	4" x 11ga. x 17'	8" Sq. x 0.75"	8.5"/8-9"	1"	9.88" Sq. x 5.25"	14.9	12	9.7	7.8	6.3	5.1	4	150 lbs.	138 lbs.
LPI4C18*-0	4" x 11ga. x 18'	8" Sq. x 0.75"	8.5"/8-9"	1"	9.88" Sq. x 5.25"	13.4	10.7	8.5	6.8	5.4	4.2	3.2	150 lbs.	144 lbs.
LPI4C20*-0	4" x 11ga. x 20'	8" Sq. x 0.75"	8.5"/8-9"	1"	9.88" Sq. x 5.25"	10.7	8.3	6.5	4.9	3.7	2.6	1.8	150 lbs.	156 lbs.
LPI4C22*-0	4" x 11ga. x 22'	8" Sq. x 0.75"	8.5"/8-9"	1"	9.88" Sq. x 5.25"	8.5	6.4	4.7	3.3	2.2	1.3	0.5	150 lbs.	168 lbs.
LPI4C23*-0	4" x 11ga. x 23'	8" Sq. x 0.75"	8.5"/8-9"	1"	9.88" Sq. x 5.25"	7.5	5.5	3.9	2.6	1.6	0.7	N/A	150 lbs.	174 lbs.
LPI4C25*-0	4" x 11ga. x 25'	8" Sq. x 0.75"	8.5"/8-9"	1"	9.88" Sq. x 5.25"	5.8	3.9	2.5	1.3	0.4	N/A	N/A	150 lbs.	191 lbs.
LPI4S20*-0	4" x 7ga. x 20'	8" Sq. x 0.75"	8.5"/8-9"	1"	9.88" Sq. x 5.25"	11.3	8.9	7	5.5	4.3	3.2	2.3	150 lbs.	222 lbs.
LPI4S22*-0	4" x 7ga. x 22'	8" Sq. x 0.75"	8.5"/8-9"	1"	9.88" Sq. x 5.25"	9.1	7	5.3	4	2.9	1.9	1.2	150 lbs.	246 lbs.
LPI4S25*-0	4" x 7ga. x 25'	8" Sq. x 0.75"	8.5"/8-9"	1"	9.88" Sq. x 5.25"	6.4	4.6	3.2	2	1.1	N/A	N/A	150 lbs.	259 lbs.
LPI5S20*-0	5" x 7ga. x 20'	11" Sq. x 1"	11"/10-12"	1.25"	12.13" Sq. x 6"	33.3	27.5	22.8	19	16	13.4	11.3	150 lbs.	304 lbs.
LPI5S22*-0	5" x 7ga. x 22'	11" Sq. x 1"	11"/10-12"	1.25"	12.13" Sq. x 6"	28.5	23.2	19.1	15.7	13	10.7	8.8	150 lbs.	336 lbs.
LPI5S25*-0	5" x 7ga. x 25'	11" Sq. x 1"	11"/10-12"	1.25"	12.13" Sq. x 6"	22.5	18.1	14.5	11.6	9.3	7.3	5.7	150 lbs.	351 lbs.
LPI5S30*-0	5" x 7ga. x 30'	11" Sq. x 1"	11"/10-12"	1.25"	12.13" Sq. x 6"	15.2	11.5	8.7	6.4	4.5	2.9	1.6	150 lbs.	422 lbs.
LPI6S30*-0	6" x 7ga. x 30'	12" Sq. x 1"	11.5"/11-12"	1.25"	13.5" Sq. x 5.5"	14	10.2	7.2	4.8	2.8	1.2	N/A	150 lbs.	503 lbs.

* Mounting configuration, fixture mounting drill pattern, color options, and pole options from ordering table on page 1.

NOTE: Hanging signs, banners and flags on poles changes the EPA rating and increases vibration. The EPA ratings data provided does not allow for this added stress which could result in pole or luminaire failure.

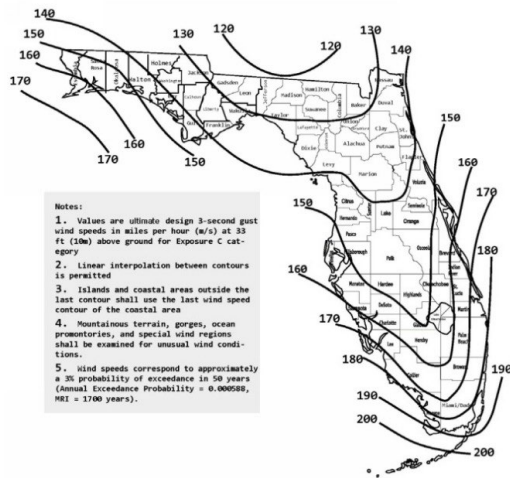


FIGURE 1609.3(2)
ULTIMATE DESIGN WIND SPEEDS, V_{ULT} , FOR RISK CATEGORY III BUILDINGS AND OTHER STRUCTURES



A COMPANY OF IDEAL INDUSTRIES, INC.

© 2022 Cree Lighting, A company of IDEAL INDUSTRIES. All rights reserved. For informational purposes only. Content is subject to change. Patent www.creelighting.com/patents. Cree® and the Cree Lighting logo are registered trademarks of Cree, Inc. THE EDGE® and C-Lite® are a registered trademarks, and OSQ™ is a trademark of Cree Lighting, A company of IDEAL INDUSTRIES. The UL logo is a registered trademark of UL LLC.

US: creelighting.com (800) 236-6800

Canada: creelighting-canada.com (800) 473-1234