

IMPORTANT SAFEGUARDS

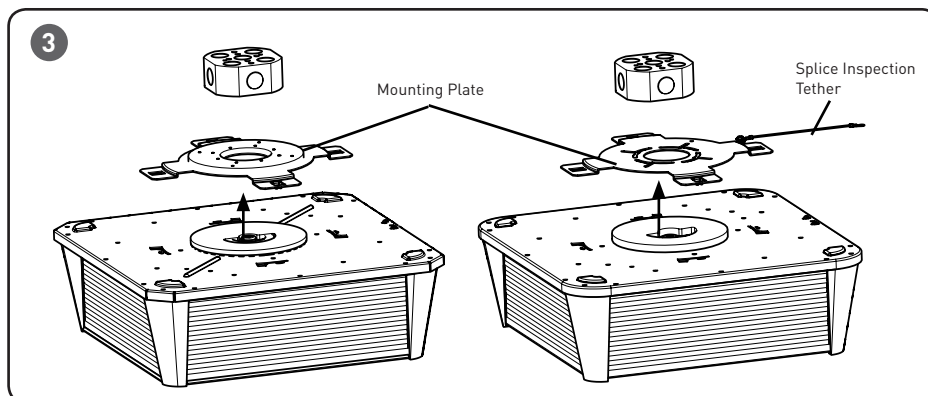
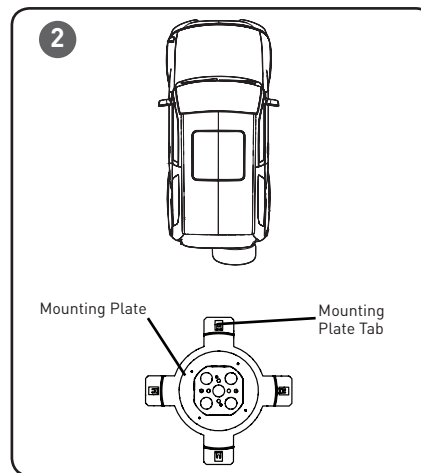
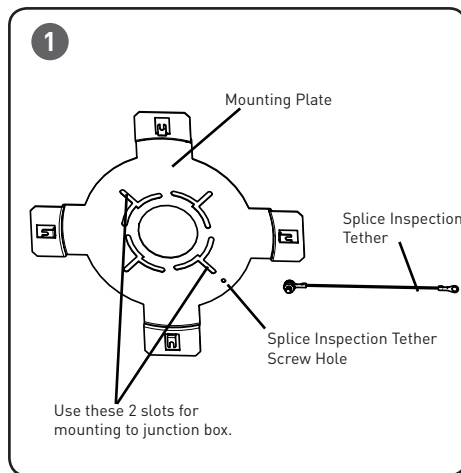
When using electrical equipment, basic safety precautions should always be followed including the following:

READ AND FOLLOW ALL SAFETY INSTRUCTIONS

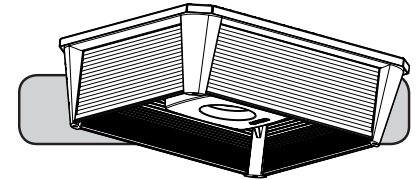
- DANGER-** Risk of shock- Disconnect power before installation.
DANGER – Risque de choc – Couper l'alimentation avant l'installation.
- This luminaire must be installed in accordance with the NEC or your local electrical code.
If you are not familiar with these codes and requirements, consult a qualified electrician.
Ce produit doit être installé conformément à NEC ou votre code électrique local. Si vous n'êtes pas familier avec ces codes et ces exigences, veuillez contacter un électricien qualifié.
- USE MIN. 90°C SUPPLY CONDUCTORS for 120-277V luminaires and USE MIN 75°C SUPPLY CONDUCTORS for the 347V luminaires.
LES FILS D'ALIMENTATION 90°C MIN pour 120-277V et LES FILS D'ALIMENTATION 75°C MIN pour 347V .
- DO NOT lift luminaire by the power leads.
- DO NOT carry or lift luminaire by Splice Inspection Tether or wireform. Splice Inspection Tether and wireform are only for supporting luminaire while making wiring connections.

SAVE THESE INSTRUCTIONS FOR FUTURE REFERENCE

TO INSTALL:



INSTALLATION INSTRUCTIONS INSTRUCTIONS D'INSTALLATION



NOTE:

- During installation and maintenance handle the luminaire only by the housing NOT by the lens.

JUNCTION BOX MOUNTING

STEP 1:

Locate the Splice Inspection Tether on the luminaire and attach the cable to the designated screw hole on the mounting plate using the provided screws. See **Figure 1**.

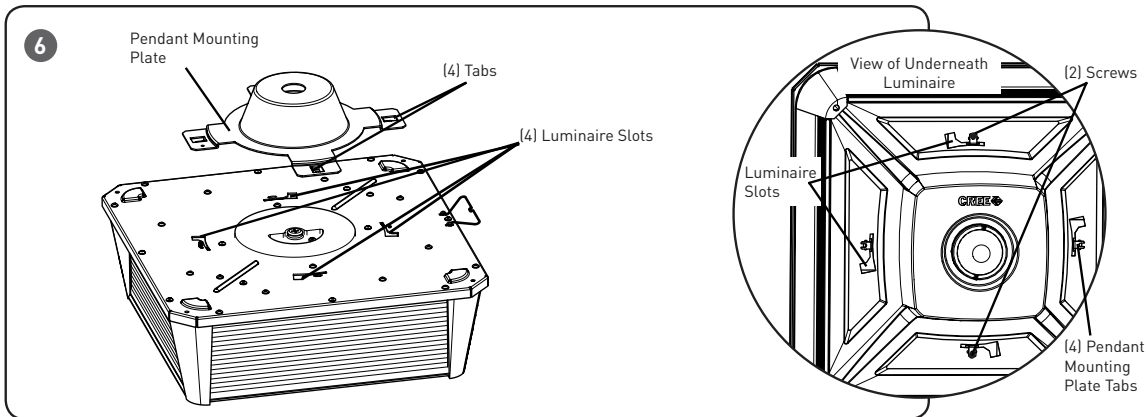
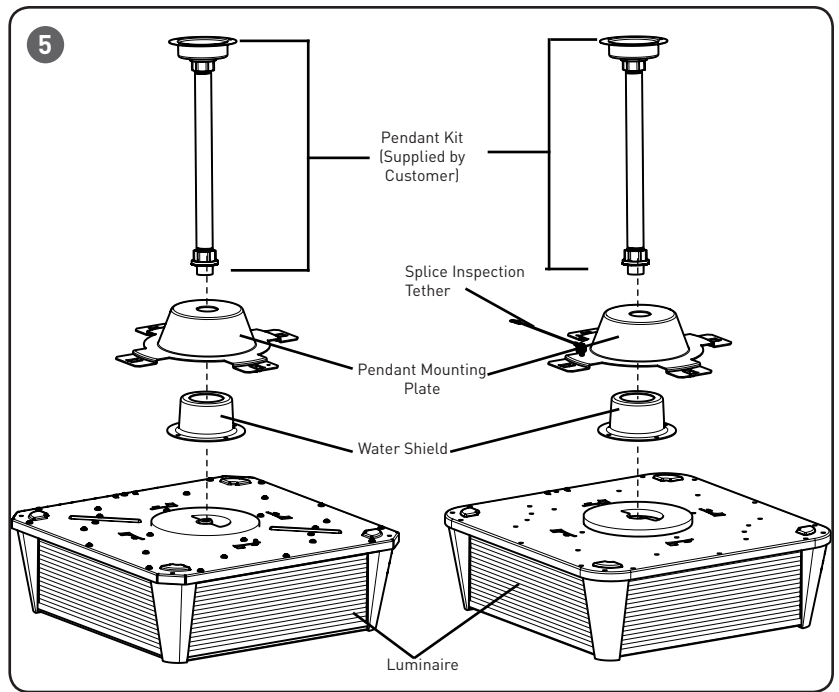
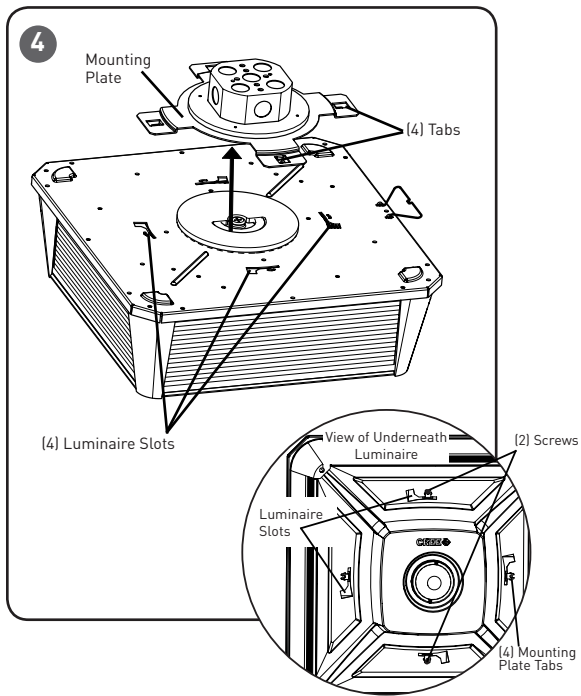
STEP 2:

NOTE: Ensure to install mounting plate to junction box using the two screws slots on the mounting plate that are diagonal to the Splice Inspection Tether. See **Figure 1**.

NOTE: Two people may be needed for installing to junction box, one to hold the luminaire and another to install the mounting plate to the junction box. Attach mounting plate to customer supplied junction box with the tabs on the Mounting Plate directed parallel to vehicle traffic as shown in **Figure 2**. Torque to 20 in-lbs. See **Figure 2 and 3**.

STEP 3:

Make wiring connections per "Electrical Connections" section.



STEP 4:

After wiring connections have been made, tuck all wires into junction box ensuring that no wires are pinched.

STEP 5:

Attach luminaire to the Mounting Plate by pressing up on the luminaire until the slots on the luminaire engage with the tabs on the Mounting Plate and rotate until tabs lock securely. To secure install a minimum of (2) supplied screws across from each other into the mounting plate tabs on the underside of the luminaire. See **Figure 4**.

NOTE: Installation may require extra pressure on luminaire to engage tabs into slots. Only apply pressure on housing body NOT on the luminaire lens.

NOTE: If the mounting plate tabs become deformed during installation, slightly reopen the tabs back up using a screwdriver to ensure proper install of luminaire.

STEP 6:

Lightly pull on the luminaire to verify luminaire is securely mounted.

FIXTURE SERVICING AND MAINTENANCE

STEP 1:

If supply wiring splices need to be inspected or if luminaire needs to be removed, fully loosen the (2) screws and rotate luminaire to disengage from Mounting Plate.

STEP 2:

To re-install luminaire, when finished with servicing or maintenance follow Step 2-6 in "Junction Box Mounting" section above.

PENDANT MOUNTING (OPTIONAL)

NOTE: Customer supplied 3/4" IP Pendant Kit and wire leads may be necessary for pendant mounting. For existing rigid pendant installations, perform Step 2 through 8 only. Not recommended for use with a hang straight pendant. Cree Lighting does not provide a counterbalance system.

STEP 1:

Feed wire leads through customer supplied pendant kit. See **Figure 5**. Make sure leads are at least 6 in longer than customer supplied pendant stem.

STEP 2:

Locate the Splice Inspection Tether on the luminaire and attach the cable to the designated screw hole on the Pendant Mounting Plate using the provided screws. See **Figure 1 and 2**.

STEP 3:

NOTE: Two people may be needed for installing to customer supplied pendant kit, one to hold the luminaire and another to install the Pendant Mounting Plate to the customer supplied pendant kit.

Attach Pendant Mounting Plate to customer supplied pendant kit. See **Figure 5**.

STEP 4:

Feed wire leads through the Water Shield.

NOTE: Water Shield will be held in place by the Pendant Mounting Plate. No fasteners are necessary.

STEP 5:

Make wiring connections to customer supplied wire leads per "**Electrical Connections**" section.

STEP 6:

After wiring connections have been made, tuck all wires into the water shield ensuring that no wires are pinched.

NOTE: Ensure that splices are contained within Water Shield for future splice inspections.

STEP 7:

Attach luminaire to the Pendant Mounting Plate by engaging the tabs on the Pendant Mounting Plate with the slots on the luminaire. Rotate until tabs lock securely. See **Figure 6 on page 2.**

NOTE: Installation may require extra pressure on Pendant Mounting Plate to engage luminaire tabs into slots.

STEP 8:

Install a minimum of (2) supplied screws into the pendant mounting plate tabs on the underside of the luminaire. See **Figure 6 on page 2.**

STEP 9:

Cut off any excess length of leads from the top of the customer supplied pendant kit.

STEP 10:

Make wiring connections to customer supplied junction box per **"Electrical Connections"** section.

STEP 11:

Using customer supplied hardware, attach pendant kit and luminaire to customer supplied junction box.

LED LUMINAIRE MAINTENANCE

CLEANING INSTRUCTIONS:

Regular cleaning of the light LED luminaire is required to keep the LED luminaire operating optimal optical performance.

- Cleaning intervals to be no more than twelve months for IESNA Clean category environments and more frequently for dirtier conditions.
- Care should be taken as to not damage the lens and/or the interior reflective surface as these components are critical for optimal performance.
- Do not use any type of cleaners or stiff brushes on the LED luminaire. Use water with mild detergent and soft cloth.

FCC NOTICE

CAUTION: Changes or modifications not expressly approved could void your authority to use this equipment.

This device complies with part 15 of the FCC Rules. Operation is subject to the following two conditions: (1) This device may not cause harmful interference, and (2) this device must accept any interference received, including interference that may cause undesired operation.

This equipment has been tested and found to comply with the limits for a Class A digital

device, pursuant to part 15 of the FCC Rules. These limits are designed to provide reasonable protection against harmful interference when the equipment is operated in a commercial environment. This equipment generates, uses, and can radiate radio frequency energy and, if not installed and used in accordance with the instruction manual, may cause harmful interference to radio communications. Operation of this equipment in a residential area is likely to cause harmful interference in which case the user will be required to correct the interference at his own expense. CAN ICES-005 (A)/NMB-005 (A)

The following statement applies to all part numbers ending in -ENC: RF EXPOSURE NOTICE

To comply with the FCC/IC RF exposure compliance requirements, this device and its antenna must not be co-located or operating to conjunction with any other antenna or transmitter. This equipment should be installed and operated with minimum distance 5cm between the radiator & your body. No other antenna is authorized for use with this product.

ELECTRICAL CONNECTIONS

STEP 1:

NOTE: USE MIN. 90°C SUPPLY CONDUCTORS for 120-277V luminaires and USE MIN 75°C SUPPLY CONDUCTORS for the 347-480V luminaires.

Make the following Electrical Connections for products rated 120V, 277V, or 347V (Line-Neutral), or rated 208V, or 240V (Line-Line):

- For products rated 120V, 277V or 347V, connect the Black lead from the luminaire to the LINE supply wiring inside the junction box or for products rated 208V, 240 or 480V, connect to the HOT 1 supply wiring.
- For products rated 120V, 277V or 347V, connect the White lead from the luminaire to the NEUTRAL supply wiring inside the junction box or for products rated 208V, 240 or 480V, connect to the HOT 2 supply wiring.
- Connect the Green or Green/Yellow lead from the luminaire to the GROUND supply wiring inside the junction box.

STEP 2:

Make the following electrical connections:

- If Dimming leads are present (non-PML); connect the violet dimming positive lead to the supply dimming positive lead.
- If Dimming leads are present (non-PML); connect the grey dimming negative lead to the supply dimming negative lead.

