

DGA

Drywall Grid Adaptor for CR, LR, ZR, and FLEX Series Troffers, and C-Lite™ Series Flat Panel Troffers

Product Description

The DGA "lay-in" accessory enables Cree troffers to easily install into plaster and sheet rock ceilings. It may be installed into any hard ceiling to create a simple t-bar style opening.

Product Specifications

INSTALLATION

- DGA24-WHT Rough in Dimensions: 48.37" x 24.37" (1228.7mm x 619.1mm)
- DGA14-WHT Rough in Dimensions: 48.37" x 12.56" (1228.7mm x 319.1mm)
- DGA22-WHT Rough in Dimensions: 24.37" x 24.37" (619.1mm x 619.1mm)
- Tolerance for L or W: +.125"/-0 (+3mm/-0)

REGULATORY & VOLUNTARY QUALIFICATIONS

- cULus Listed

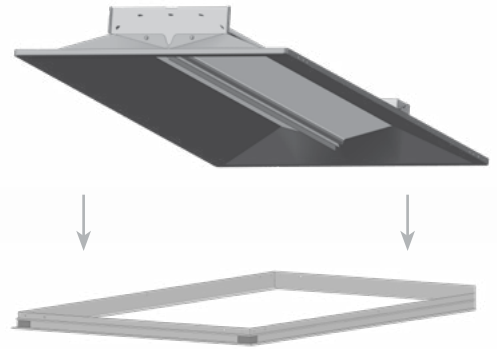
Limited Warranty*: 1 year on accessories

† See <http://lighting.cree.com/warranty> for warranty terms

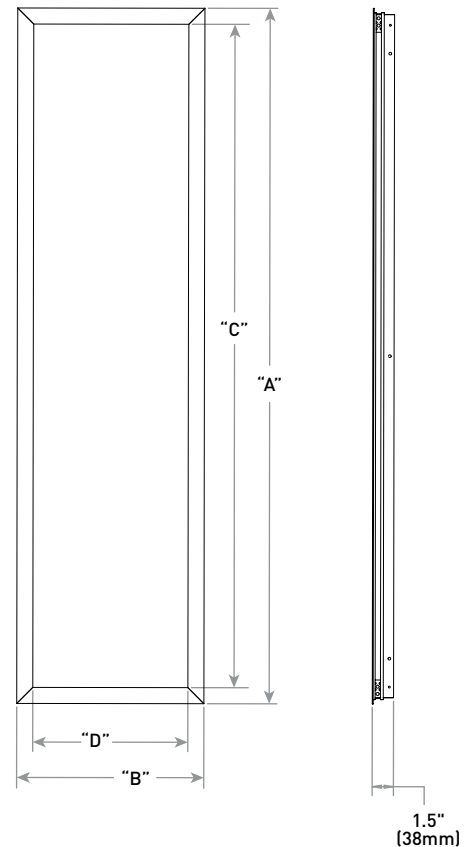
Ordering Information

Example: DGA14-WHT

Product
DGA14-WHT (single-pack) DGA14-WHT-10PK (10-pack) CR14, FLX14, ZR14, and C-TR-*-FP14 compatible
DGA22-WHT (single-pack) DGA22-WHT-10PK (10-pack) CR22, FLX22, LR22, ZR22, and C-TR-*-FP22 compatible
DGA24-WHT (single-pack) DGA24-WHT-10PK (10-pack) CR24, FLX24, ZR24, and C-TR-*-FP24 compatible



NOTE: Luminaire not included.



Product	DIM "A"	DIM "B"	DIM "C"	DIM "D"
DGA14-WHT	49" (1245mm)	13.2" (335mm)	46.7" (1187mm)	10.9" (228mm)
DGA22-WHT	25" (635mm)	25" (635mm)	22.7" (578mm)	22.7" (578mm)
DGA24-WHT	49" (1245mm)	25" (635mm)	46.7" (1187mm)	22.7" (578mm)



Rev. Date: V5 03/20/2019

© 2019 Cree, Inc. and/or one of its subsidiaries. All rights reserved. For informational purposes only. Content is subject to change. Patent www.cree.com/patents. Cree® and the Cree logo are registered trademarks of Cree, Inc., and C-Lite™ is a trademark of Cree, Inc. The UL logo is a registered trademark of UL LLC.



US: lighting.cree.com

T (800) 236-6800 F (262) 504-5415

Canada: www.cree.com/canada

T (800) 473-1234 F (800) 890-7507